

0CNP5-M50100EN

PAINT COLOR (MRT650EX, PQZ)

| FIG | PAINT COLOR | COLOR SPRAY | MAIN PART | COLOR NUMBER |
|-------------------|------------------|--------------|------------------|--------------|
| TILLING PART | YANMAR RED 2 | TOR-94800100 | COVER, ROTARY | 10 |
| HANDLE PART | YANMAR WHITE | TOR-94800140 | HANDEL CMP | 14 |
| ENGINE FRAME PART | YANMAR MAT BLACK | TOR-94800130 | ENGINE FRAME CMP | 13 |
| ENGINE FRAME PART | YANMAR BLACK | TOR-94800120 | BUMPER | 12 |
| | | | | |

Please surely use YANMAR Genuine color spray any
YANMAR agricultural machines

Given painting color may be altered for improvement, etc.
without prior notice.

Contents

Fig. No. Fig. Name

PULLEY, TENSION PART

1. ENGINE STAY
2. ENGINE PULLEY
3. MAIN PULLEY
4. TENSION CLUTCH

MISSION PART

5. MISSION CASE
6. MAIN SHAFT
7. SUB SHAFT
8. FINAL SHAFT
9. DECELERATION SHAFT
10. COUNTER SHAFT
11. AXLE SHAFT
12. DIFFERENTIAL
13. MAIN SHIFT

TIRE PART

14. TIRE

TILLING PART

15. TILLAGE SHAFT
16. TINE SHAFT
17. TILLING COVER
18. COVER

Fig. No. Fig. Name

HANDLE PART

19. HANDLE
20. HANDLE COVER
21. CONTROL LEVER

ENGINE FRAME PART

22. ENGINE FRAME
23. BUMPER
24. BELT COVER
25. FUEL TANK
26. BONNET
27. TAIL WHEEL
28. SKID

ELEC., LABEL, ACCESSORY PART

29. ELECTRIC PART
30. LABEL
31. LABEL(SAFETY)
32. TOOL, ACCESSORY

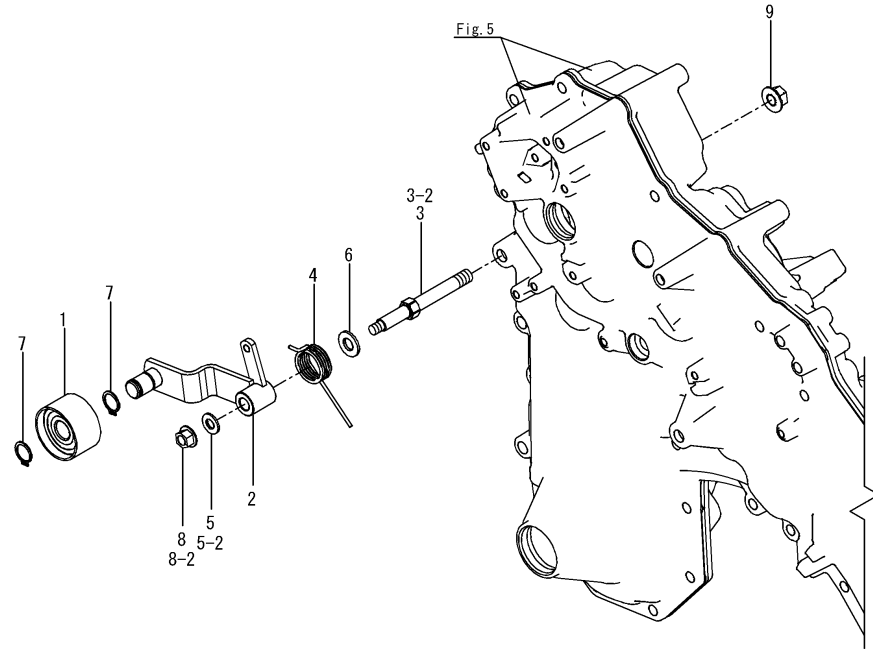
SPARE PARTS PART

33. MISSION ASSY

Fig.4. TENSION CLUTCH

(A)=MRT650EX,PQZ
(B)=
(C)=

(D)=
(E)=
(F)=



| No. | Lev. | Parts No. | Description | Q'ty | | | | | | I | R |
|-----|------|------------------------------|----------------------|------|-----|-----|-----|-----|-----|---|-----|
| | | | | (A) | (B) | (C) | (D) | (E) | (F) | | |
| 1 | 1 | 1A2480-13100 | ROLLER COMP.,TENSION | 1 | | | | | | | |
| 2 | 1 | 1A2740-13500 | ARM CMP, TENSION | 1 | | | | | | | |
| 3 | 1 | 1A2740-13550 | BOLT, TENSION | 1 | | | | | | | |
| 3-1 | 1 | 1A2740-13551 (A=FZZZZZ) | BOLT, TENSION | 1 | | | | | | | N |
| 3-2 | 1 | 1A2740-13552 (A=REF.TO R) | BOLT, TENSION | 1 | | | | | | | S 1 |
| 4 | 1 | 1A2740-13600 | SPRING, RETURN | 1 | | | | | | | |
| 5 | 1 | 22137-080000 | WASHER, 8 | 1 | | | | | | | |
| 5-1 | 1 | 1A2740-13560 (A=FZZZZZ) | WASHER, 8.1X17X1.6 | 1 | | | | | | | N |
| 5-2 | 1 | 22157-060000 (A=REF.TO R) | WASHER, 6 | 1 | | | | | | | S 1 |
| 6 | 1 | 22137-100000 | WASHER, 10 | 1 | | | | | | | |
| 7 | 1 | 22242-000150 | RING, 15 | 2 | | | | | | | |
| 8 | 1 | 26367-080002 | NUT, M8 | 1 | | | | | | | |
| 8-1 | 1 | 1A2740-90200 (A=FZZZZZ) | V-NUT,8 | 1 | | | | | | | N |
| 8-2 | 1 | 1A2740-90100 (A=REF.TO R) | V-NUT,6 | 1 | | | | | | | S 1 |
| 9 | 1 | 26377-100002 | NUT, M10 | 1 | | | | | | | |

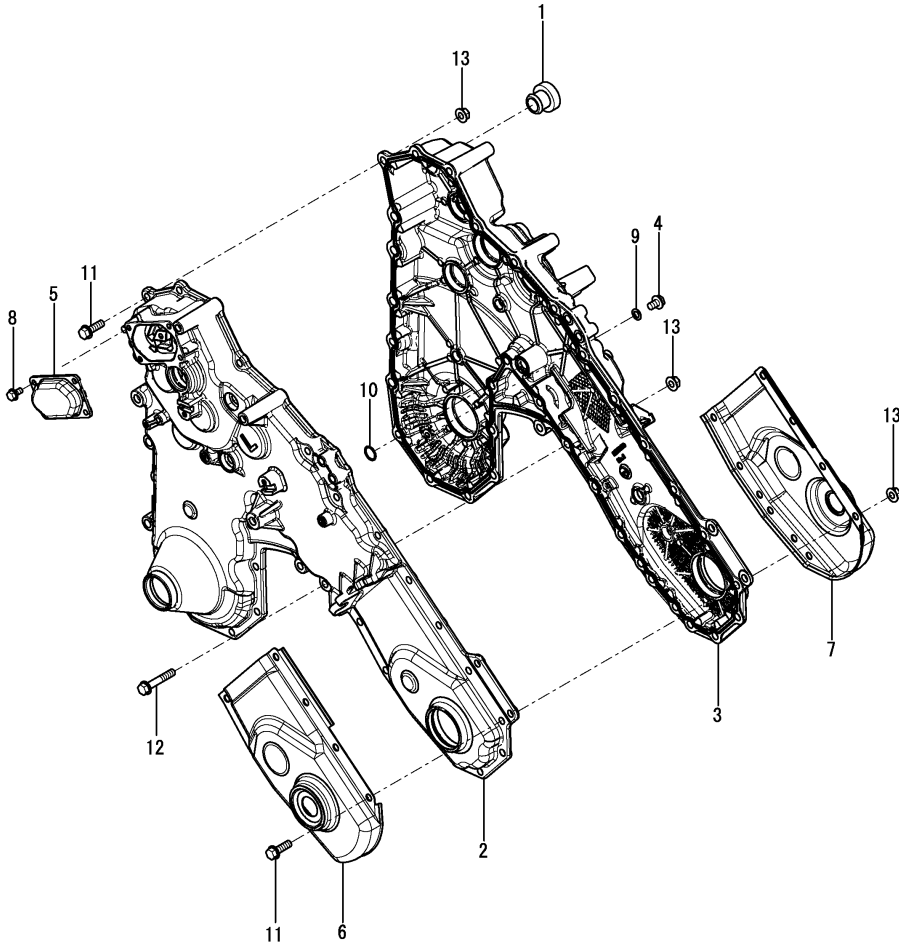
Remarks

* Mission assy is shown in Fig.33.

(1)Please consult Yanmar at the time of ordering.

N:Old $\xrightarrow{\text{Yes}}$ New, Q:Old $\xrightarrow{\text{No}}$ New, R:Old $\xrightarrow{\text{Yes}}$ New, S:Old $\xrightarrow{\text{No}}$ New, W:Add, Z:Discontinued, F:Interchangeable by set, K:Q'ty Change

Fig.5. MISSION CASE



(A)=MRT650EX,PQZ
(B)=
(C)=

(D)=
(E)=
(F)=

| No. | Lev. | Parts No. | Description | Q'ty | | | | | | I | R |
|-----|------|--------------|----------------------|------|-----|-----|-----|-----|-----|---|---|
| | | | | (A) | (B) | (C) | (D) | (E) | (F) | | |
| 1 | 1 | 1A1470-20090 | CAP 35,OIL FILLER | 1 | | | | | | | |
| 2 | 1 | 1A2740-21000 | CASE, TRANSMISSION L | 1 | | | | | | | |
| 3 | 1 | 1A2740-21010 | CASE, TRANSMISSION R | 1 | | | | | | | |
| 4 | 1 | 1A2001-21250 | BOLT M8X12,COLLAR HD | 1 | | | | | | | |
| 5 | 1 | 1A2740-21300 | COVER, HORK | 1 | | | | | | | |
| 6 | 1 | 1A2740-21400 | COVER CMP,PROTECT L | 1 | | | | | | | |
| 6-1 | 1 | 1A2740-21401 | COVER CMP,PROTECT L | 1 | | | | | | | N |
| | | (A=F015580) | | | | | | | | | |
| 7 | 1 | 1A2740-21410 | COVER CMP,PROTECT R | 1 | | | | | | | |
| 7-1 | 1 | 1A2740-21411 | COVER CMP,PROTECT R | 1 | | | | | | | N |
| | | (A=F015580) | | | | | | | | | |
| 8 | 1 | 1A1750-90200 | SCREW 6X12,COLLAR HD | 4 | | | | | | | |
| 9 | 1 | 23414-080000 | GASKET, 8X1.0 | 1 | | | | | | | |
| 10 | 1 | 24341-000160 | O-RING, 1AS16.0 | 1 | | | | | | | |
| 11 | 1 | 26106-080252 | BOLT, M8X 25 PLATED | 20 | | | | | | | |
| 12 | 1 | 26106-080452 | BOLT, M8X 45 PLATED | 4 | | | | | | | |
| 13 | 1 | 26367-080002 | NUT, M8 | 24 | | | | | | | |

Remarks

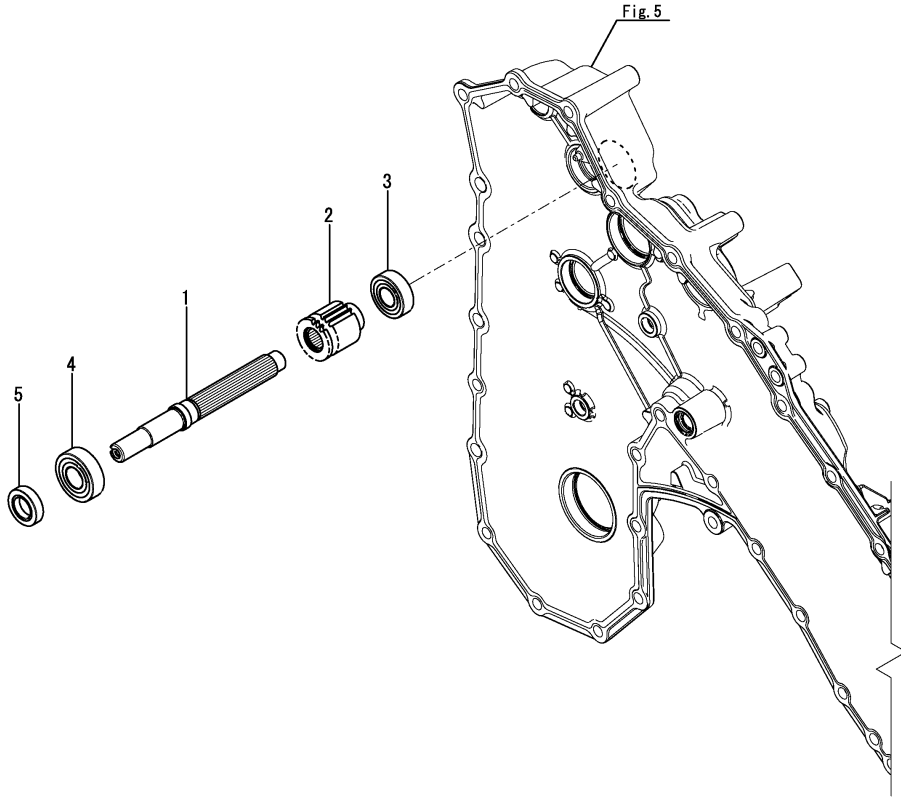
* Mission assy is shown in Fig.33.

Fig.6. MAIN SHAFT

(A)=MRT650EX,PQZ
(B)=
(C)=

(D)=
(E)=
(F)=

| No. | Lev. | Parts No. | Description | Q'ty | | | | | | I | R |
|-----|------|--------------|----------------------|------|-----|-----|-----|-----|-----|---|---|
| | | | | (A) | (B) | (C) | (D) | (E) | (F) | | |
| 1 | 1 | 1A2740-23000 | SHAFT, MAIN | 1 | | | | | | | |
| 2 | 1 | 1A2740-23010 | GEAR, 11T | 1 | | | | | | | |
| 3 | 1 | 24104-062024 | BEARING, BALL 6202UU | 1 | | | | | | | |
| 4 | 1 | 24104-062034 | BEARING, BALL 6203UU | 1 | | | | | | | |
| 5 | 1 | 24421-173008 | SEAL, OIL TC173008 | 1 | | | | | | | |



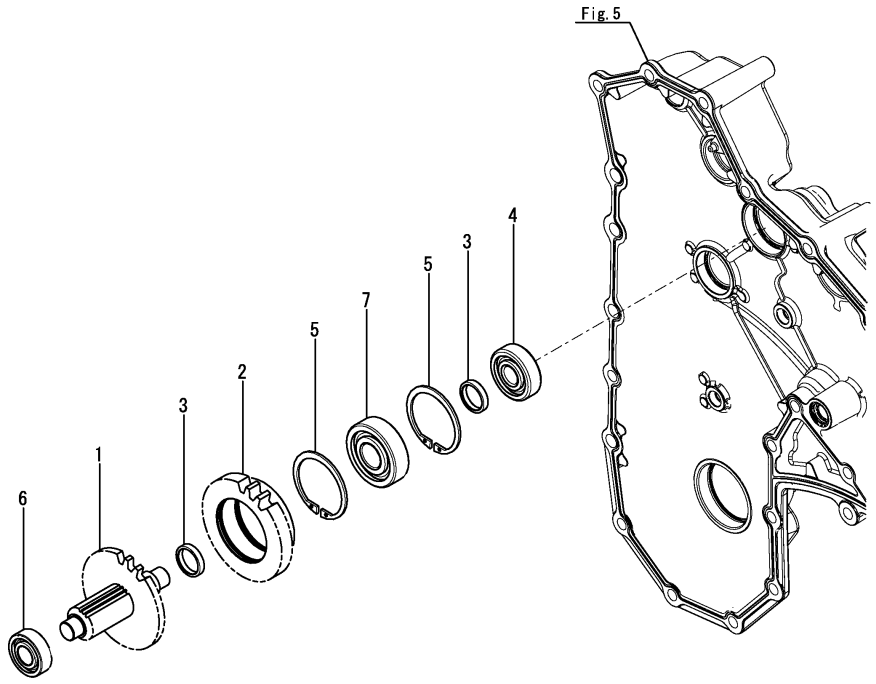
Remarks
* Mission assy is shown in Fig.33.

Fig.7. SUB SHAFT

(A)=MRT650EX,PQZ
(B)=
(C)=

(D)=
(E)=
(F)=

| No. | Lev. | Parts No. | Description | Q'ty | | | | | | I | R |
|-----|------|--------------|--------------------|------|-----|-----|-----|-----|-----|---|---|
| | | | | (A) | (B) | (C) | (D) | (E) | (F) | | |
| 1 | 1 | 1A2740-23100 | SUB SHAFT CMP | 1 | | | | | | | |
| 2 | 1 | 1A2740-23150 | GEAR, 31T(R FR | 1 | | | | | | | |
| 3 | 1 | 1A2740-23160 | COLLAR, 20X25X4.5 | 2 | | | | | | | |
| 4 | 1 | 1A2000-23251 | BEARING 6302-9T3C | 1 | | | | | | | |
| 5 | 1 | 22252-000520 | RING, 52 | 2 | | | | | | | |
| 6 | 1 | 24101-062024 | BEARING, BALL 6202 | 1 | | | | | | | |
| 7 | 1 | 24101-063044 | BEARING, BALL 6304 | 1 | | | | | | | |

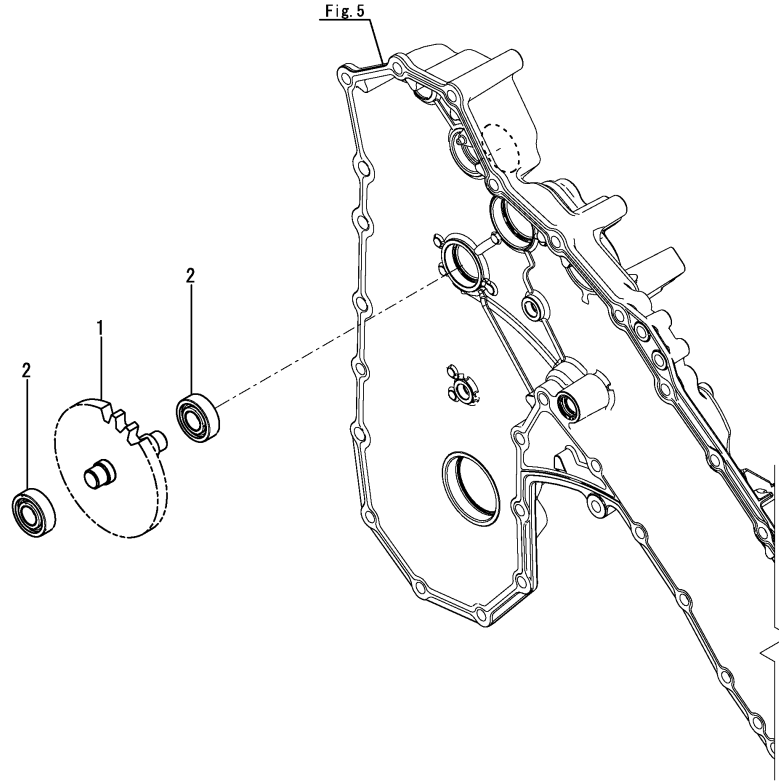


Remarks
* Mission assy is shown in Fig.33.

Fig.8. FINAL SHAFT

(A)=MRT650EX,PQZ
(B)=
(C)=

(D)=
(E)=
(F)=



| No. | Lev. | Parts No. | Description | Q'ty | | | | | | I | R |
|-----|------|--------------|--------------------|------|-----|-----|-----|-----|-----|---|---|
| | | | | (A) | (B) | (C) | (D) | (E) | (F) | | |
| 1 | 1 | 1A2740-23200 | FINAL SHAFT CMP | 1 | | | | | | | |
| 2 | 1 | 24101-062024 | BEARING, BALL 6202 | 2 | | | | | | | |

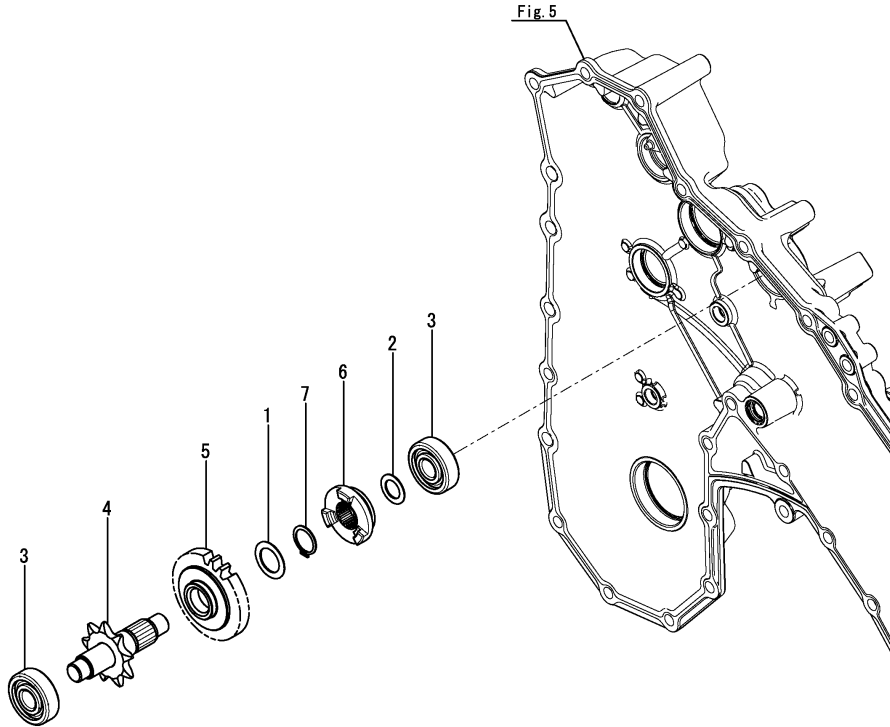
Remarks
* Mission assy is shown in Fig.33.

Fig.9. DECELERATION SHAFT

(A)=MRT650EX,PQZ
(B)=
(C)=

(D)=
(E)=
(F)=

| No. | Lev. | Parts No. | Description | Q'ty | | | | | | I | R |
|-----|------|--------------|-------------------|------|-----|-----|-----|-----|-----|---|---|
| | | | | (A) | (B) | (C) | (D) | (E) | (F) | | |
| 1 | 1 | 1A1105-23200 | LINER 30X20.2X1 | 1 | | | | | | | |
| 2 | 1 | 1A1735-23250 | SPACER 15X24X1.0 | 1 | | | | | | | |
| 3 | 1 | 1A2000-23251 | BEARING 6302-9T3C | 2 | | | | | | | |
| 4 | 1 | 1A2740-23300 | SHAFT CMP | 1 | | | | | | | |
| 5 | 1 | 1A2740-23350 | GEAR 26 CMP | 1 | | | | | | | |
| 6 | 1 | 1A2480-23380 | DOG CLUTCH | 1 | | | | | | | |
| 7 | 1 | 22242-000200 | RING, 20 | 1 | | | | | | | |



Remarks

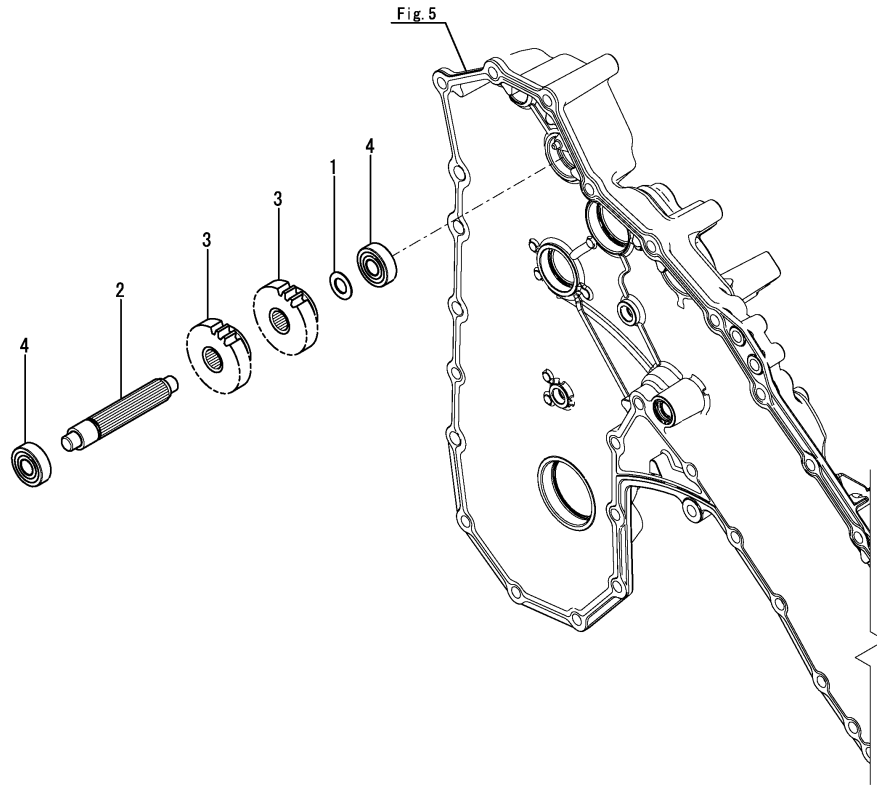
* Mission assy is shown in Fig.33.

Fig.10. COUNTER SHAFT

(A)=MRT650EX,PQZ
(B)=
(C)=

(D)=
(E)=
(F)=

| No. | Lev. | Parts No. | Description | Q'ty | | | | | | I | R |
|-----|------|--------------|----------------------|------|-----|-----|-----|-----|-----|---|---|
| | | | | (A) | (B) | (C) | (D) | (E) | (F) | | |
| 1 | 1 | 1A2320-23150 | SIM | 1 | | | | | | | |
| 2 | 1 | 1A2740-23400 | SHAFT, COUNTER | 1 | | | | | | | |
| 3 | 1 | 1A2740-23410 | GEAR 21T | 2 | | | | | | | |
| 4 | 1 | 24104-062014 | BEARING, BALL 6201UU | 2 | | | | | | | |



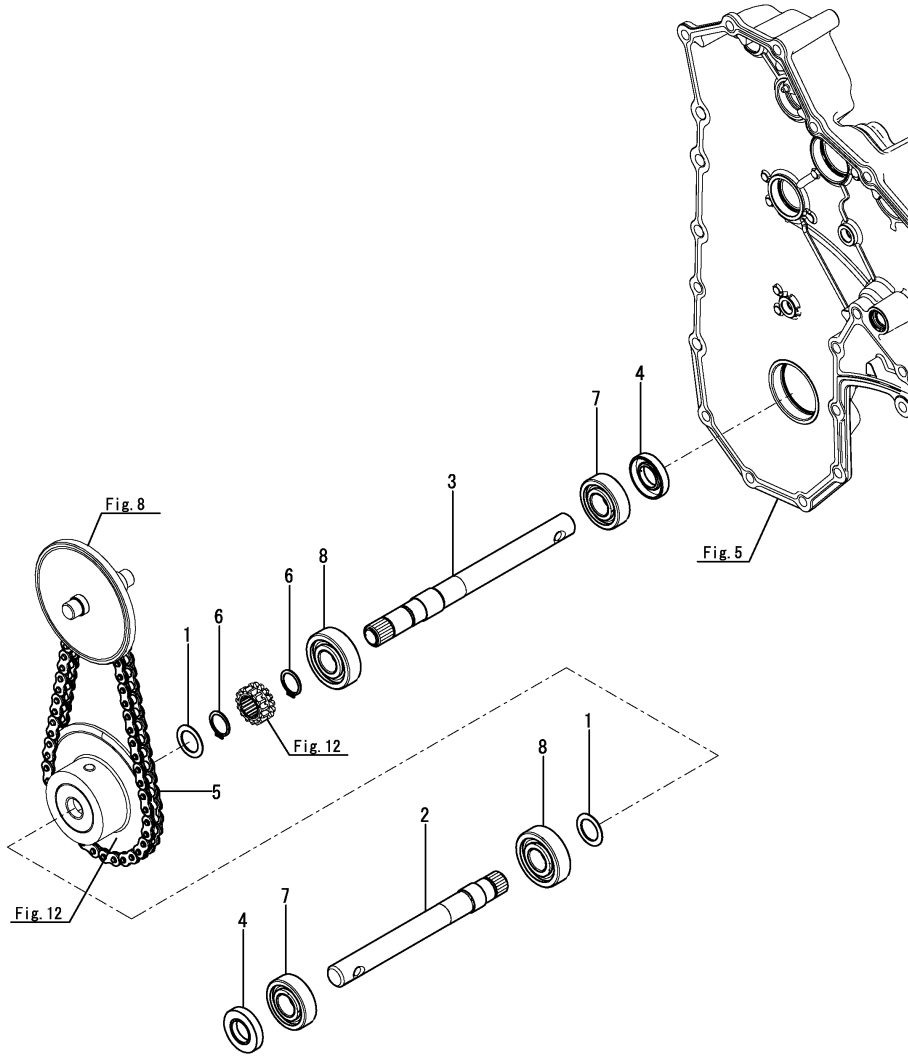
Remarks
* Mission assy is shown in Fig.33.

Fig.11. AXLE SHAFT

(A)=MRT650EX,PQZ
(B)=
(C)=

(D)=
(E)=
(F)=

| No. | Lev. | Parts No. | Description | Q'ty | | | | | | I | R |
|-----|------|--------------|--------------------|------|-----|-----|-----|-----|-----|---|---|
| | | | | (A) | (B) | (C) | (D) | (E) | (F) | | |
| 1 | 1 | 1A1105-23200 | LINER 30X20.2X1 | 2 | | | | | | | |
| 2 | 1 | 1A2740-24000 | SHAFT, SHEAR L | 1 | | | | | | | |
| 3 | 1 | 1A2740-24010 | SHAFT, SHEAR R | 1 | | | | | | | |
| 4 | 1 | 1A2740-24020 | SEAL, 204008 | 2 | | | | | | | |
| 5 | 1 | 1A2740-24080 | CHAIN, 12.7X52 | 1 | | | | | | | |
| 6 | 1 | 22242-000200 | RING, 20 | 2 | | | | | | | |
| 7 | 1 | 24101-062044 | BEARING, BALL 6204 | 2 | | | | | | | |
| 8 | 1 | 24101-063044 | BEARING, BALL 6304 | 2 | | | | | | | |



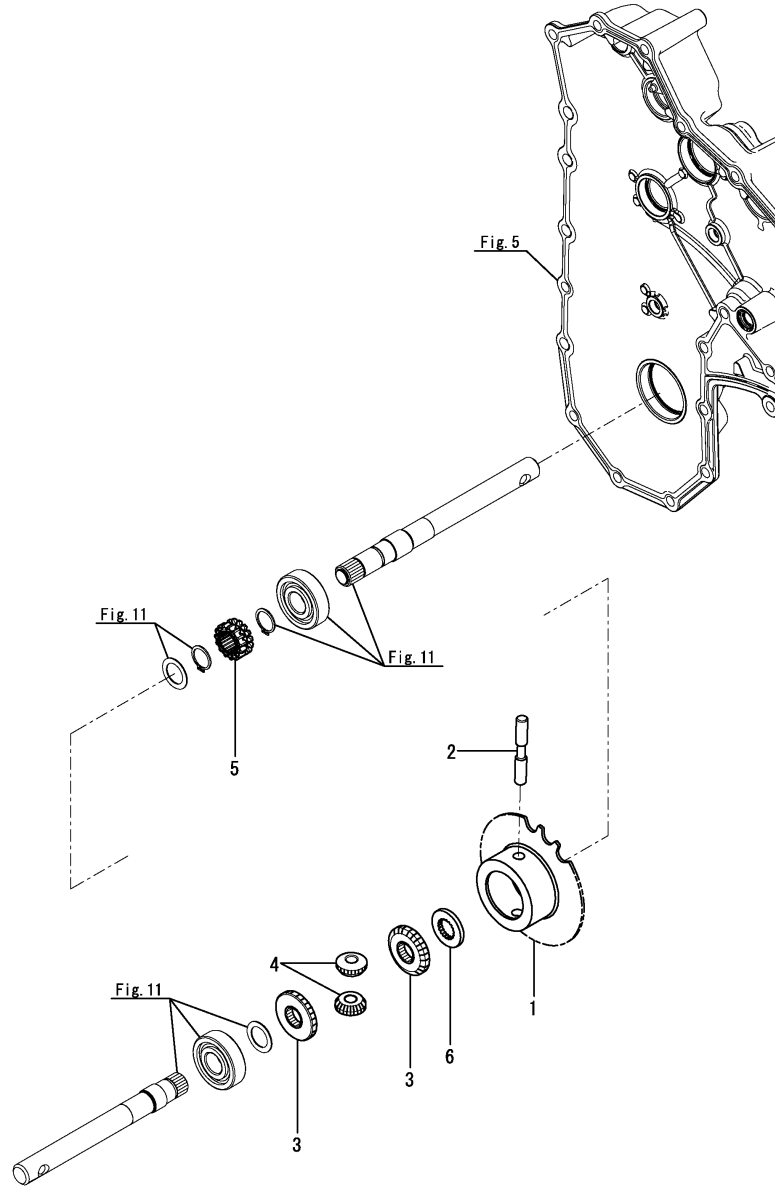
Remarks

* Mission assy is shown in Fig.33.

Fig.12. DIFFERENTIAL

(A)=MRT650EX,PQZ
(B)=
(C)=

(D)=
(E)=
(F)=

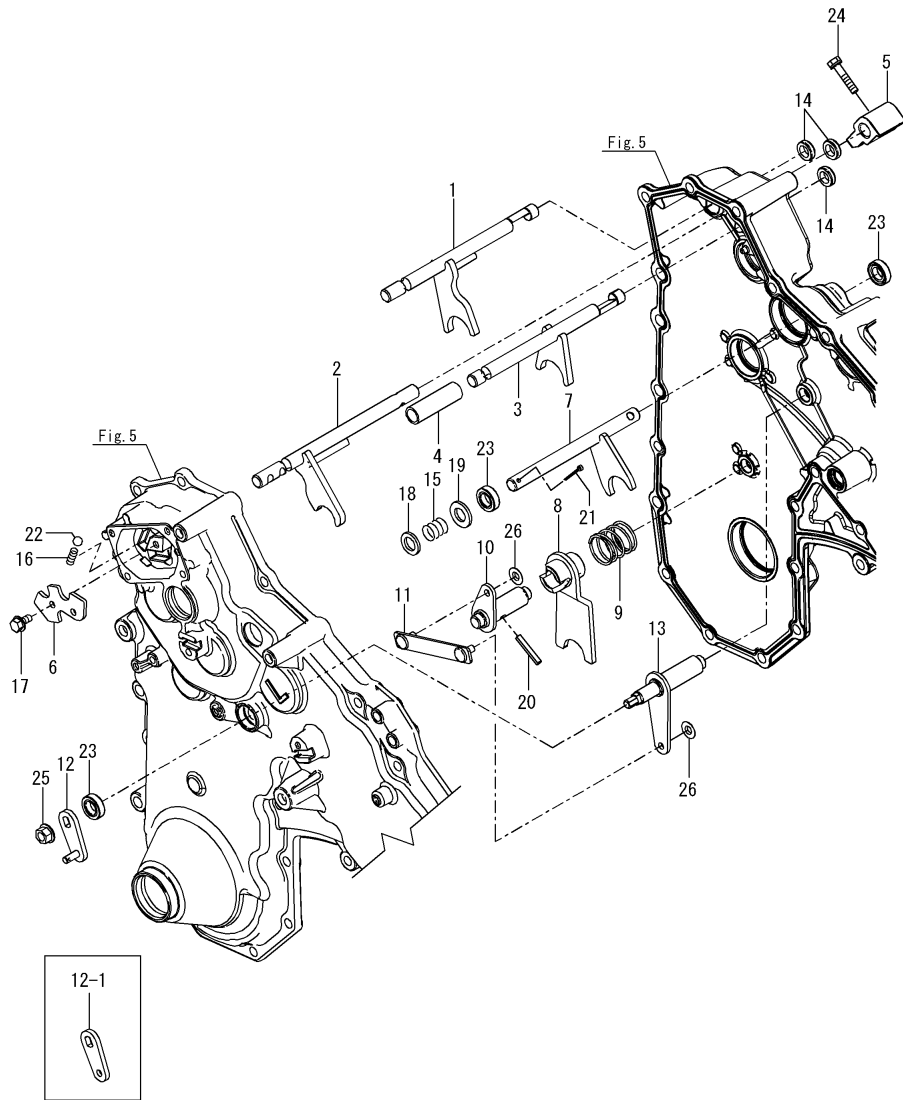


| No. | Lev. | Parts No. | Description | Q'ty | | | | | | I | R |
|-----|------|--------------|-------------------|------|-----|-----|-----|-----|-----|---|---|
| | | | | (A) | (B) | (C) | (D) | (E) | (F) | | |
| 1 | 1 | 1A2740-24100 | CASE, 30T | 1 | | | | | | | |
| 2 | 1 | 1A2740-24150 | SHAFT, PINION | 1 | | | | | | | |
| 3 | 1 | 1A2740-24160 | GEAR, SIDE | 2 | | | | | | | |
| 4 | 1 | 1A2740-24170 | PINION | 2 | | | | | | | |
| 5 | 1 | 1A2170-24210 | GEAR 15,DIFF.LOCK | 1 | | | | | | | |
| 6 | 1 | 1A2420-24460 | COLLAR, B | 1 | | | | | | | |

Remarks

* Mission assy is shown in Fig.33.

Fig.13. MAIN SHIFT



(A)=MRT650EX,PQZ
(B)=
(C)=

(D)=
(E)=
(F)=

| No. | Lev. | Parts No. | Description | Q'ty | | | | | | I | R |
|--------------|------|--------------|-----------------------|------|-----|-----|-----|-----|-----|---|---|
| | | | | (A) | (B) | (C) | (D) | (E) | (F) | | |
| 1 | 1 | 1A2740-27000 | SHAFT CMP, FORK A | 1 | | | | | | | |
| 2 | 1 | 1A2740-27050 | SHAFT CMP, FORK B | 1 | | | | | | | |
| 3 | 1 | 1A2740-27100 | SHAFT CMP, FORK C | 1 | | | | | | | |
| 4 | 1 | 1A2740-27130 | COLLER, 12X16X53.5 | 1 | | | | | | | |
| 5 | 1 | 1A2740-27151 | GUIDE | 1 | | | | | | | |
| 6 | 1 | 1A2740-27200 | PLATE, RETAINER | 1 | | | | | | | |
| 7 | 1 | 1A2480-27300 | SHAFT D CMP, FORK | 1 | | | | | | | |
| 8 | 1 | 1A2740-27350 | FORK CMP | 1 | | | | | | | |
| 9 | 1 | 1A2740-27451 | SPRING 30X32 | 1 | | | | | | | |
| 10 | 1 | 1A2740-27500 | SHAFT CMP, DEFF | 1 | | | | | | | |
| 11 | 1 | 1A2740-27700 | LINK CMP | 1 | | | | | | | |
| 12 | 1 | 1A2740-27750 | CLUTCH ARM CMP | 1 | | | | | | | |
| 12-1 | 1 | 1A2740-27770 | CLUTCH ARM | 1 | | | | | | | S |
| (A=20131115) | | | | | | | | | | | |
| 13 | 1 | 1A2740-27800 | SHAFT CMP | 1 | | | | | | | |
| 14 | 1 | 1A2173-27900 | SEAL, TC121805 | 3 | | | | | | | |
| 15 | 1 | 1A2190-55460 | SPRING 13X38 | 1 | | | | | | | |
| 16 | 1 | 1E6150-56040 | SPRING, FORK | 3 | | | | | | | |
| 17 | 1 | 1A1750-90200 | SCREW 6X12, COLLAR HD | 2 | | | | | | | |
| 18 | 1 | 22117-120000 | WASHER, 12 | 1 | | | | | | | |
| 19 | 1 | 22137-120000 | WASHER, 12 | 1 | | | | | | | |
| 20 | 1 | 22351-050030 | PIN, SPRING 5.0X30 | 1 | | | | | | | |
| 21 | 1 | 22417-250250 | PIN, COTTER 2.5X25 | 1 | | | | | | | |
| 22 | 1 | 24190-100003 | BALL, STEEL 5/16 | 7 | | | | | | | |
| 23 | 1 | 24421-122207 | SEAL, OIL TC122207 | 3 | | | | | | | |
| 24 | 1 | 26013-060302 | BOLT, M6X 30 | 1 | | | | | | | |
| 25 | 1 | 26367-080002 | NUT, M8 | 1 | | | | | | | |
| 26 | 1 | 26892-000600 | NUT, 6 | 2 | | | | | | | |

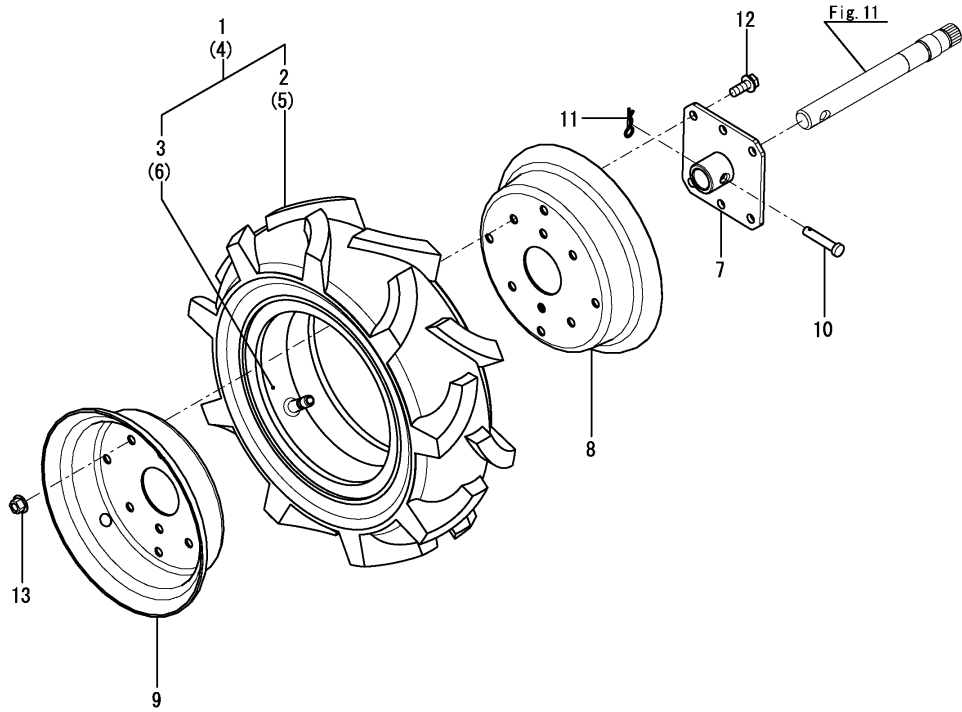
Remarks

* Mission assy is shown in Fig.33.

Fig.14. TIRE

(A)=MRT650EX,PQZ
(B)=
(C)=

(D)=
(E)=
(F)=

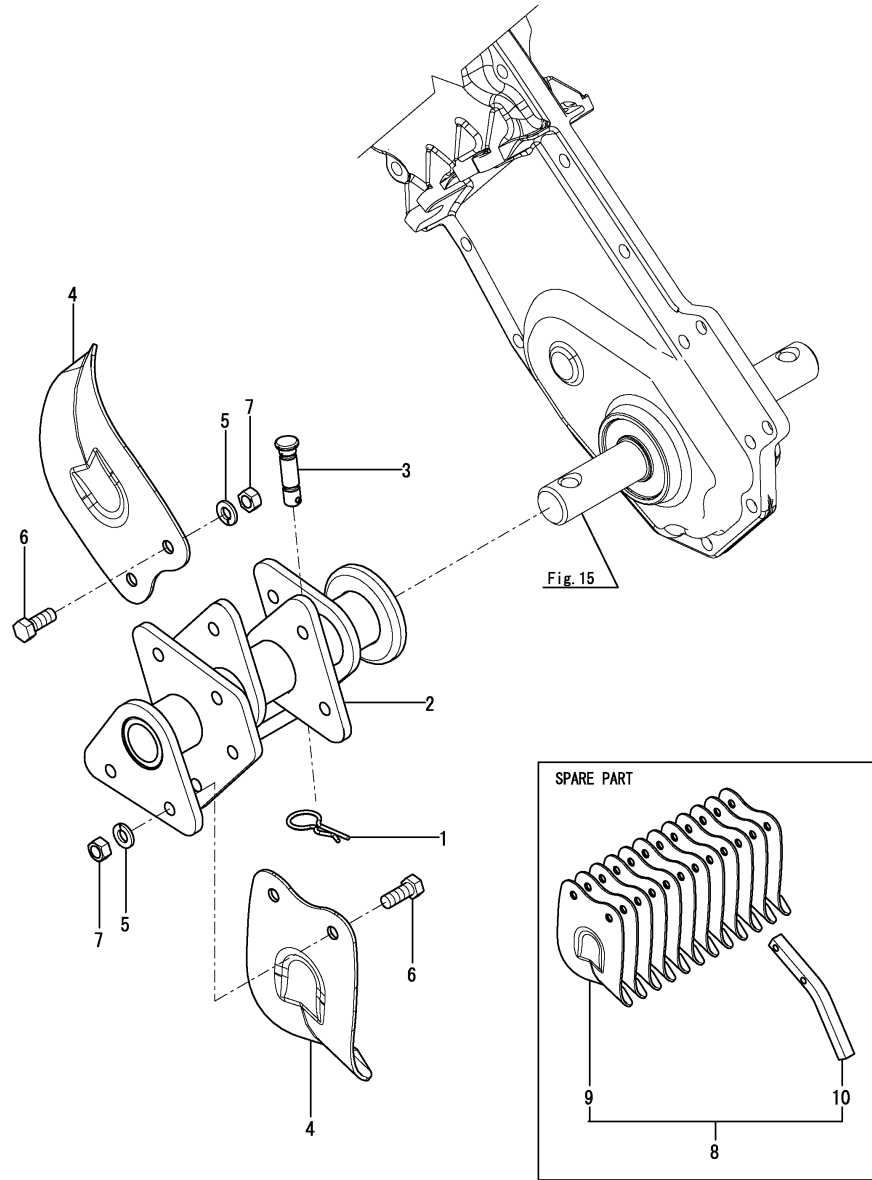


| No. | Lev. | Parts No. | Description | Q'ty | | | | | | I | R |
|-----|------|----------------|----------------------|------|-----|-----|-----|-----|-----|---|---|
| | | | | (A) | (B) | (C) | (D) | (E) | (F) | | |
| 1 | 1 | 1A1880-31000 | TIRE | 1 | | | | | | | |
| 2 | 2 | 1A1880-31020 | TIRE 3.50-7 | 1 | | | | | | | |
| 3 | 2 | 1A1880-31030 | TUBE 3.50-7,TIRE | 1 | | | | | | | |
| 4 | 1 | 1A1880-31010 | TIRE | 1 | | | | | | | |
| 5 | 2 | 1A1880-31020 | TIRE 3.50-7 | 1 | | | | | | | |
| 6 | 2 | 1A1880-31030 | TUBE 3.50-7,TIRE | 1 | | | | | | | |
| 7 | 1 | 1A2170-31700 | FLANGE 7 COMP.,WHEEL | 2 | | | | | | | |
| 8 | 1 | 1A1105-34010-1 | TIRE, SIDE WHEEL | 2 | | | | | | | |
| 9 | 1 | 1A1105-34020-1 | TIRE, SIDE WHEEL | 2 | | | | | | | |
| 10 | 1 | 1A1540-46010 | PIN 8X35,FLAT HEAD | 2 | | | | | | | |
| 11 | 1 | 1A1540-46020 | PIN 8,SNAP | 2 | | | | | | | |
| 12 | 1 | 26106-080202 | BOLT, M8X 20 PLATED | 8 | | | | | | | |
| 13 | 1 | 26367-080002 | NUT, M8 | 8 | | | | | | | |

Fig.16. TINE SHAFT

(A)=MRT650EX,PQZ
(B)=
(C)=

(D)=
(E)=
(F)=



| No. | Lev. | Parts No. | Description | Q'ty | | | | | | I | R |
|-----|------|--------------|---------------------|------|-----|-----|-----|-----|-----|---|---|
| | | | | (A) | (B) | (C) | (D) | (E) | (F) | | |
| 1 | 1 | 1S0202-30900 | PIN 10,SNAP | 2 | | | | | | | |
| 2 | 1 | 1A2740-43100 | SHAFT CMP, TINE | 2 | | | | | | | |
| 3 | 1 | 1A2170-43300 | SPLIT PIN 10X40 | 2 | | | | | | | |
| 4 | 1 | 1A2740-43900 | TINE, W29 | 12 | | | | | | | |
| 5 | 1 | 22217-080000 | WASHER, SPRING 8 | 24 | | | | | | | |
| 6 | 1 | 26116-080202 | BOLT, M8X 20 PLATED | 24 | | | | | | | |
| 7 | 1 | 26717-080002 | NUT, M8 | 24 | | | | | | | |
| 8 | 1 | 7A2740-43100 | TINE ASSY | 1 | | | | | | | 1 |
| 9 | 2 | 1A2740-43900 | TINE, W29 | 12 | | | | | | | 1 |
| 10 | 2 | 1A2480-75110 | REAR STICK | 1 | | | | | | | 1 |

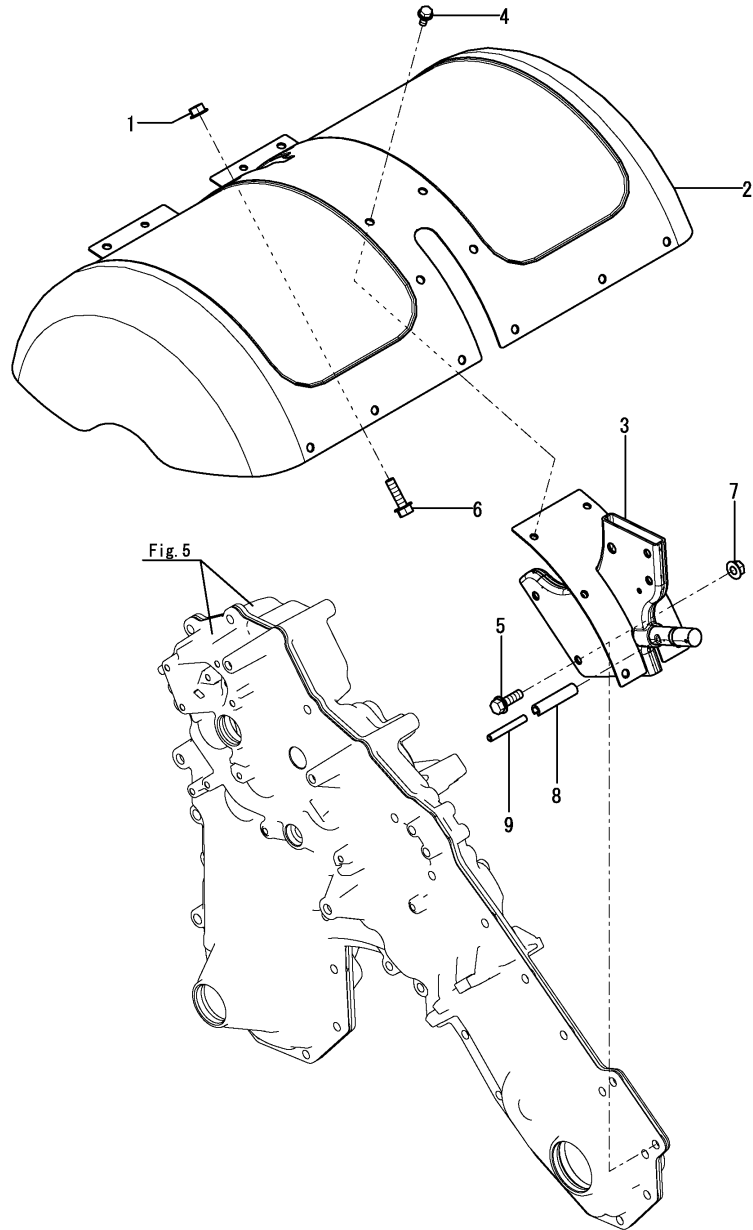
Remarks

(1) Spare parts.

Fig.17. TILLING COVER

(A)=MRT650EX,PQZ
(B)=
(C)=

(D)=
(E)=
(F)=



| No. | Lev. | Parts No. | Description | Q'ty | | | | | | I | R |
|-----|------|-----------------------------|----------------------|------|-----|-----|-----|-----|-----|---|---|
| | | | | (A) | (B) | (C) | (D) | (E) | (F) | | |
| 1 | 1 | 1W0224-09804 | NUT | 4 | | | | | | | |
| 2 | 1 | 7A2749-44000 | COVER,ROTARY PL ASSY | 1 | | | | | | | |
| 3 | 1 | 1A2740-44050 | BOX,ADJUST BACK CMP | 1 | | | | | | | |
| 4 | 1 | 26106-060122 | BOLT, M6X 12 PLATED | 4 | | | | | | | |
| 5 | 1 | 26106-080252 | BOLT, M8X 25 PLATED | 2 | | | | | | | |
| 6 | 1 | 26106-080252 | BOLT, M8X 25 PLATED | 4 | | | | | | | |
| 7 | 1 | 26367-080002 | NUT, M8 | 2 | | | | | | | |
| 8 | 1 | 1A2740-44600 (A=F002434) | PIN, 6.0A X 24 | 1 | | | | | | | W |
| 9 | 1 | 22351-035022 (A=F002434) | PIN, SPRING 3.5X22 | 1 | | | | | | | W |

Fig.18. COVER

(A)=MRT650EX,PQZ
(B)=
(C)=

(D)=
(E)=
(F)=

| No. | Lev. | Parts No. | Description | Q'ty | | | | | | I | R |
|-----|------|--------------|-------------------|------|-----|-----|-----|-----|-----|---|---|
| | | | | (A) | (B) | (C) | (D) | (E) | (F) | | |
| 1 | 1 | 1A2740-44150 | STAY(STRENGTH CMP | 2 | | | | | | | |
| 2 | 1 | 1A2740-44550 | RETAINER SHEET | 1 | | | | | | | |
| 3 | 1 | 1A2740-44650 | SHEET, REAR | 1 | | | | | | | |
| 4 | 1 | 22157-060000 | WASHER, 6 | 2 | | | | | | | |
| 5 | 1 | 26367-060002 | NUT, M6 | 6 | | | | | | | |

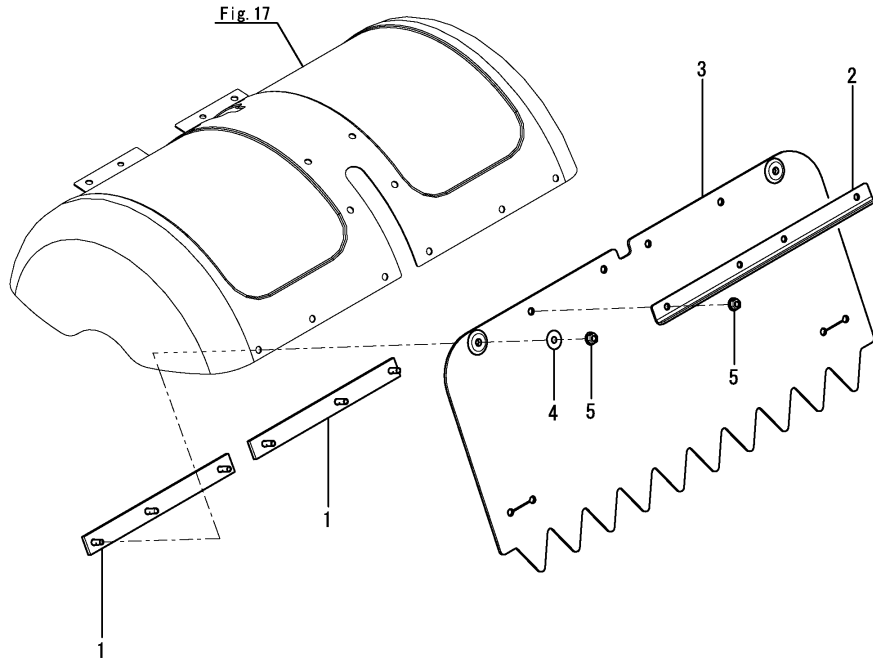
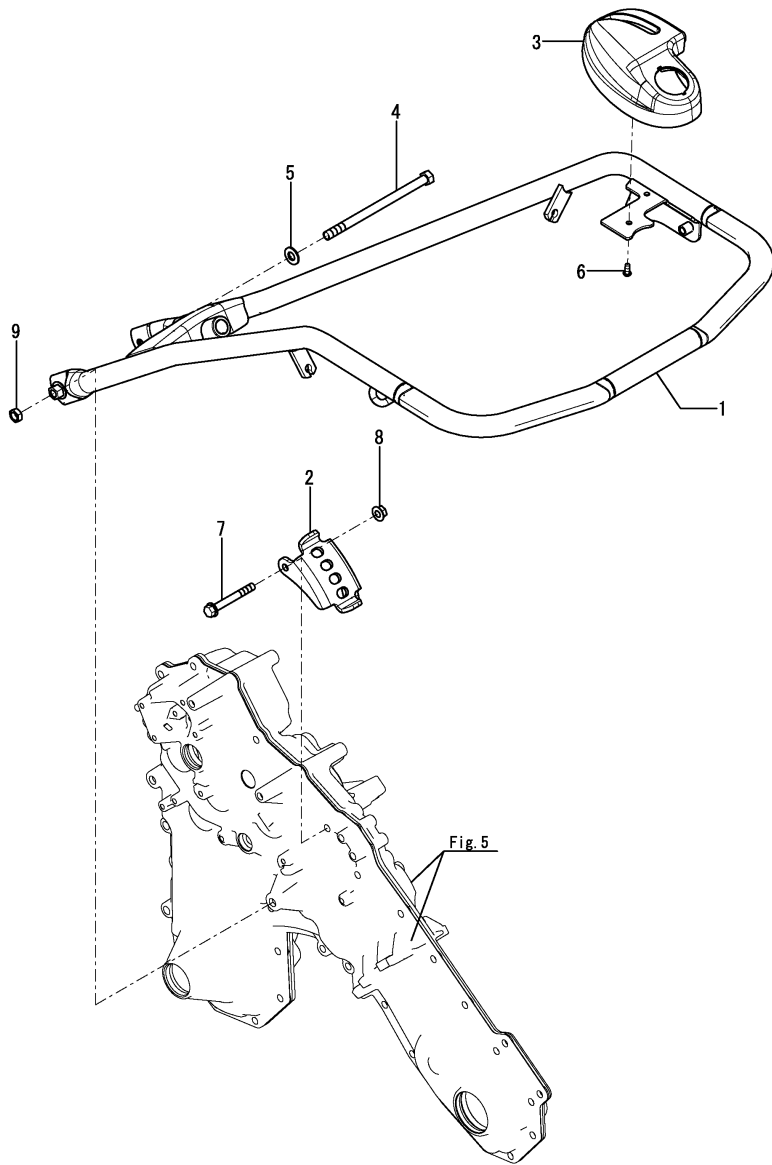


Fig.19. HANDLE

(A)=MRT650EX,PQZ
(B)=
(C)=

(D)=
(E)=
(F)=



| No. | Lev. | Parts No. | Description | Q'ty | | | | | | I | R |
|-----|------|--------------|---------------------|------|-----|-----|-----|-----|-----|---|---|
| | | | | (A) | (B) | (C) | (D) | (E) | (F) | | |
| 1 | 1 | 1A2740-51500 | HANDLE CMP | 1 | | | | | | | |
| 2 | 1 | 1A2740-51600 | INDEX,HANDL | 1 | | | | | | | |
| 3 | 1 | 1A2740-51700 | COVER, SWITCHI | 1 | | | | | | | |
| 4 | 1 | 1A2170-51900 | BOLT M10X160 | 1 | | | | | | | |
| 5 | 1 | 22137-100000 | WASHER, 10 | 1 | | | | | | | |
| 6 | 1 | 22857-500122 | SCREW, 5X12 | 2 | | | | | | | |
| 7 | 1 | 26106-080652 | BOLT, M8X 65 PLATED | 2 | | | | | | | |
| 8 | 1 | 26367-080002 | NUT, M8 | 2 | | | | | | | |
| 9 | 1 | 26777-100002 | NUT, LOCK M10 | 1 | | | | | | | |

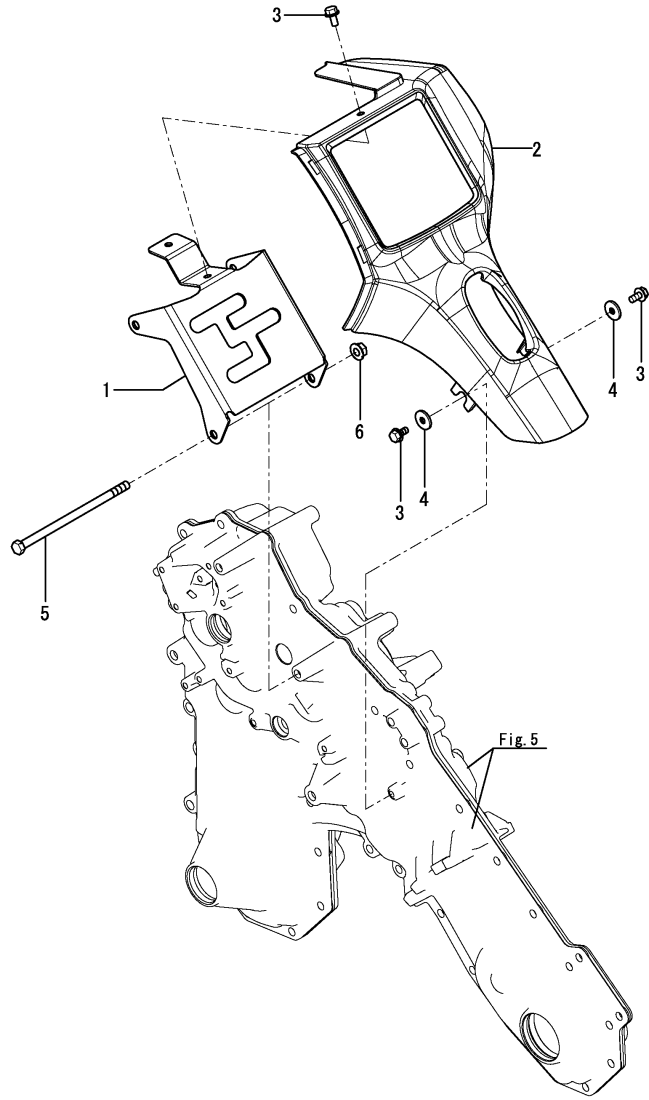
Remarks

* Mission assy is shown in Fig.33.

Fig.20. HANDLE COVER

(A)=MRT650EX,PQZ
(B)=
(C)=

(D)=
(E)=
(F)=

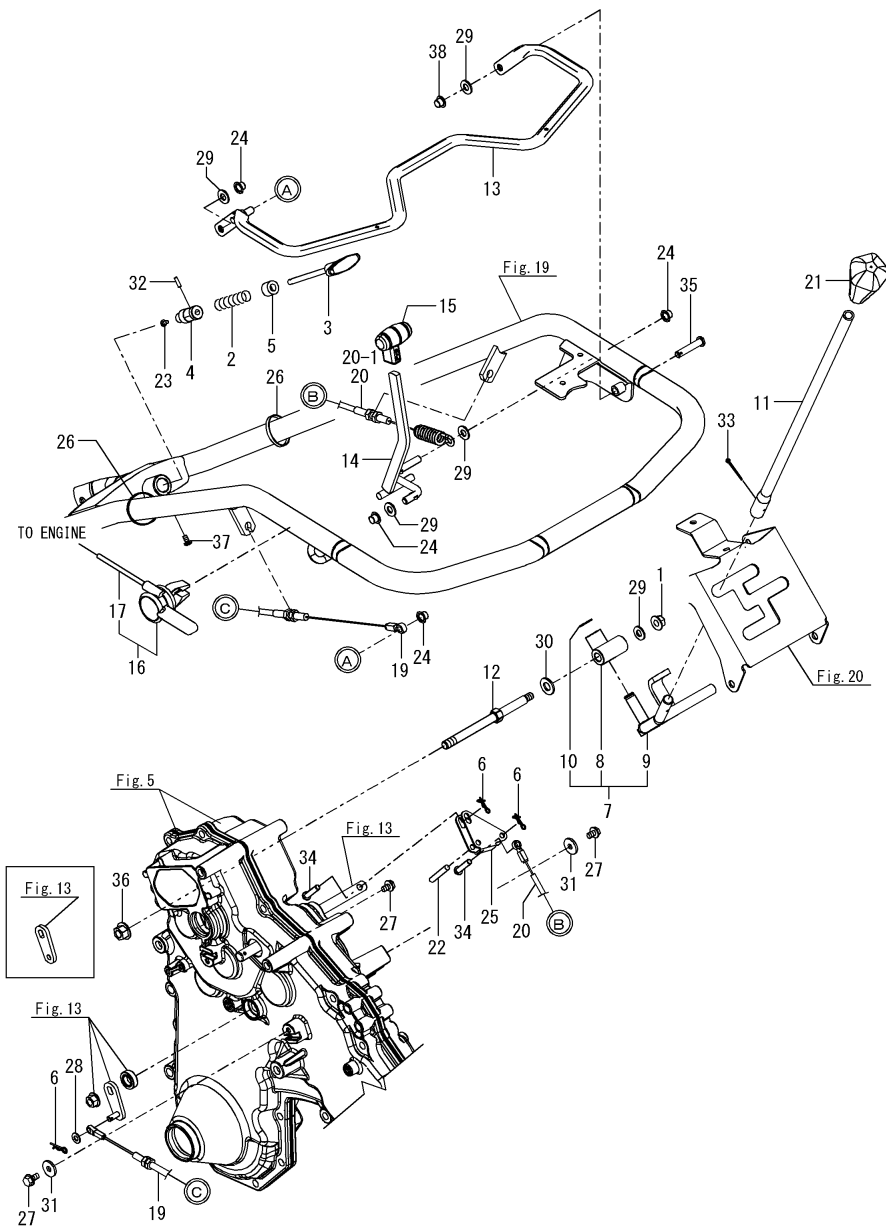


| No. | Lev. | Parts No. | Description | Q'ty | | | | | | I | R |
|-----|------|--------------|----------------------|------|-----|-----|-----|-----|-----|---|---|
| | | | | (A) | (B) | (C) | (D) | (E) | (F) | | |
| 1 | 1 | 1A2740-52000 | GUIDE CMP, CHANGE | 1 | | | | | | | |
| 2 | 1 | 1A2740-52200 | COVER, CHANGE | 1 | | | | | | | |
| 3 | 1 | 1A1750-90200 | SCREW 6X12,COLLAR HD | 3 | | | | | | | |
| 4 | 1 | 22157-060000 | WASHER, 6 | 2 | | | | | | | |
| 5 | 1 | 26116-081502 | BOLT, M8X150 PLATED | 2 | | | | | | | |
| 6 | 1 | 26367-080002 | NUT, M8 | 2 | | | | | | | |

Remarks

* Mission assy is shown in Fig.33.

Fig.21. CONTROL LEVER



(A)=MRT650EX,PQZ
(B)=
(C)=

(D)=
(E)=
(F)=

| No. | Lev. | Parts No. | Description | Q'ty | | | | | | I | R |
|--------------|------|--------------|----------------------|------|-----|-----|-----|-----|-----|---|---|
| | | | | (A) | (B) | (C) | (D) | (E) | (F) | | |
| 1 | 1 | 1W0224-09804 | NUT | 1 | | | | | | | |
| 2 | 1 | 1A2680-51560 | SPRING,1.6X13.7X62 | 1 | | | | | | | |
| 3 | 1 | 1A2740-51650 | LEVER | 1 | | | | | | | |
| 4 | 1 | 1A2740-51680 | PIN, UP/DOWN LOCK | 1 | | | | | | | |
| 5 | 1 | 1A2740-51810 | RETAINER, LOCK PIN | 1 | | | | | | | |
| 6 | 1 | 1C6281-52310 | PIN, SNAP 6 | 3 | | | | | | | |
| 6-1 | 1 | 1C6281-52310 | PIN, SNAP 6 | 2 | | | | | | | K |
| (A=*2014.03) | | | | | | | | | | | |
| 7 | 1 | 7A2740-55150 | LEVER ASSY | 1 | | | | | | | |
| 8 | 2 | 1A2740-55101 | FULCRUM, CHANGE CMP | 1 | | | | | | | |
| 9 | 2 | 1A2740-55151 | LEVER, CHANGE CMP | 1 | | | | | | | |
| 10 | 2 | 22242-000120 | RING, 12 | 1 | | | | | | | |
| 11 | 1 | 1A2420-55200 | LEVER,CHANGE | 1 | | | | | | | |
| 12 | 1 | 1A2740-55250 | BOLT,FULCRUM | 1 | | | | | | | |
| 13 | 1 | 1A2740-55300 | LEVER CMP | 1 | | | | | | | |
| 14 | 1 | 1A2740-55400 | LEVER, CMP | 1 | | | | | | | |
| 15 | 1 | 1A2740-55410 | GRIP | 1 | | | | | | | |
| 16 | 1 | 1A2749-55450 | LEVER (E ASSY | 1 | | | | | | | |
| 17 | 2 | 1A2749-55460 | WIRE, ACCELERATOR | 1 | | | | | | | |
| 19 | 1 | 1A2749-55500 | WIRE, CLUTCH MAIN | 1 | | | | | | | |
| 20 | 1 | 1A2749-55511 | WIRE | 1 | | | | | | | |
| 20-1 | 1 | 1A2749-55512 | WIRE | 1 | | | | | | | S |
| (A=20131115) | | | | | | | | | | | |
| 21 | 1 | 1A2740-55580 | GRIP, LEVER | 1 | | | | | | | |
| 22 | 1 | 1A2480-55600 | PIN 6X 40 | 1 | | | | | | | |
| 23 | 1 | 1A2740-55600 | PIN, SET | 1 | | | | | | | |
| 24 | 1 | 1A2680-55800 | NUT,CAP | 4 | | | | | | | |
| 25 | 1 | 1A2480-56100 | ARM,TILL.CLUTCH | 1 | | | | | | | |
| 26 | 1 | 1E6102-84970 | BAND 140,WIRE LOCK | 2 | | | | | | | |
| 27 | 1 | 1A1750-90200 | SCREW 6X12,COLLAR HD | 5 | | | | | | | |
| 28 | 1 | 22137-060000 | WASHER, 6 | 1 | | | | | | | Z |
| (A=20131115) | | | | | | | | | | | |
| 29 | 1 | 22137-080000 | WASHER, 8 | 5 | | | | | | | |
| 30 | 1 | 22137-100000 | WASHER, 10 | 1 | | | | | | | |
| 31 | 1 | 22157-060000 | WASHER, 6 | 3 | | | | | | | |
| 32 | 1 | 22351-030012 | PIN, SPRING 3.0X12 | 1 | | | | | | | |
| 33 | 1 | 22417-250250 | PIN, COTTER 2.5X25 | 1 | | | | | | | |
| 34 | 1 | 22487-060240 | PIN, H 6X 24 | 2 | | | | | | | |
| 35 | 1 | 22487-080350 | PIN, H 8X 35 | 1 | | | | | | | |
| 36 | 1 | 26377-100002 | NUT, M10 | 1 | | | | | | | |
| 37 | 1 | 26557-050082 | SCREW, M5X 8 | 1 | | | | | | | |
| 38 | 1 | 26892-000800 | NUT, 8 | 1 | | | | | | | |

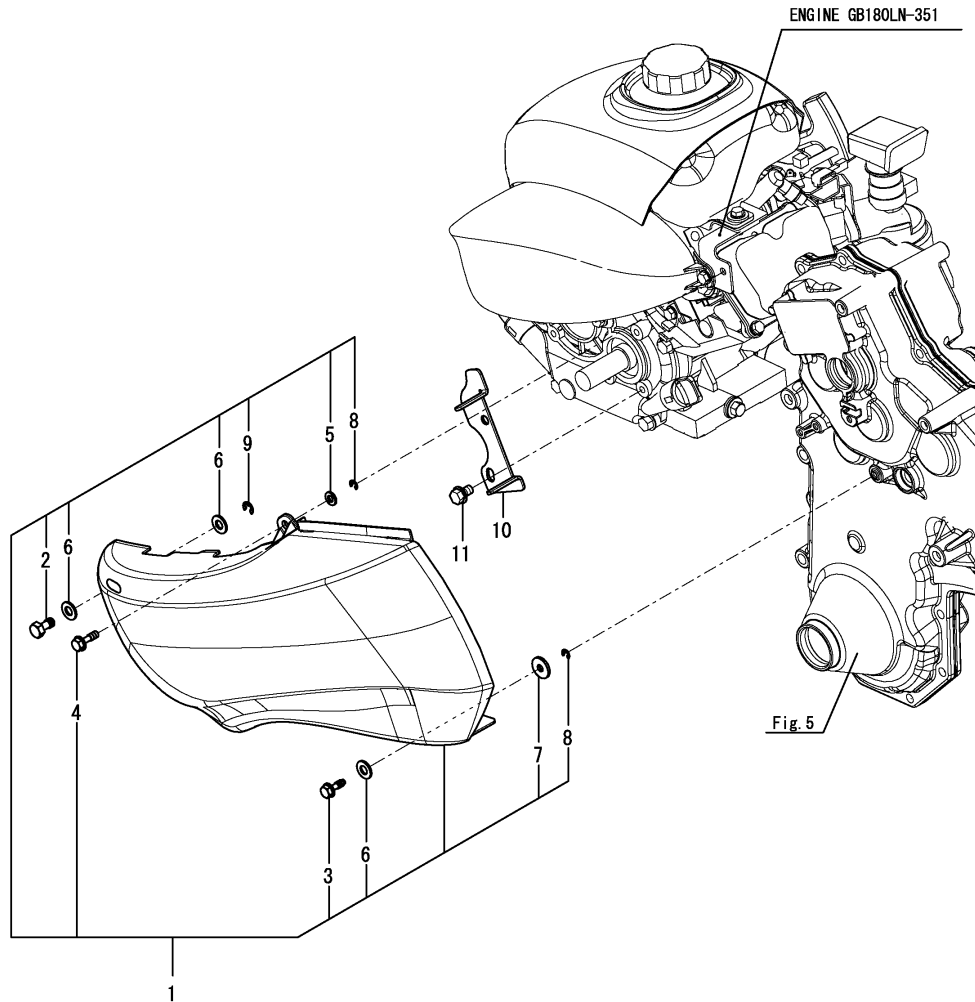
Remarks

* Mission assy is shown in Fig.33.

Fig.24. BELT COVER

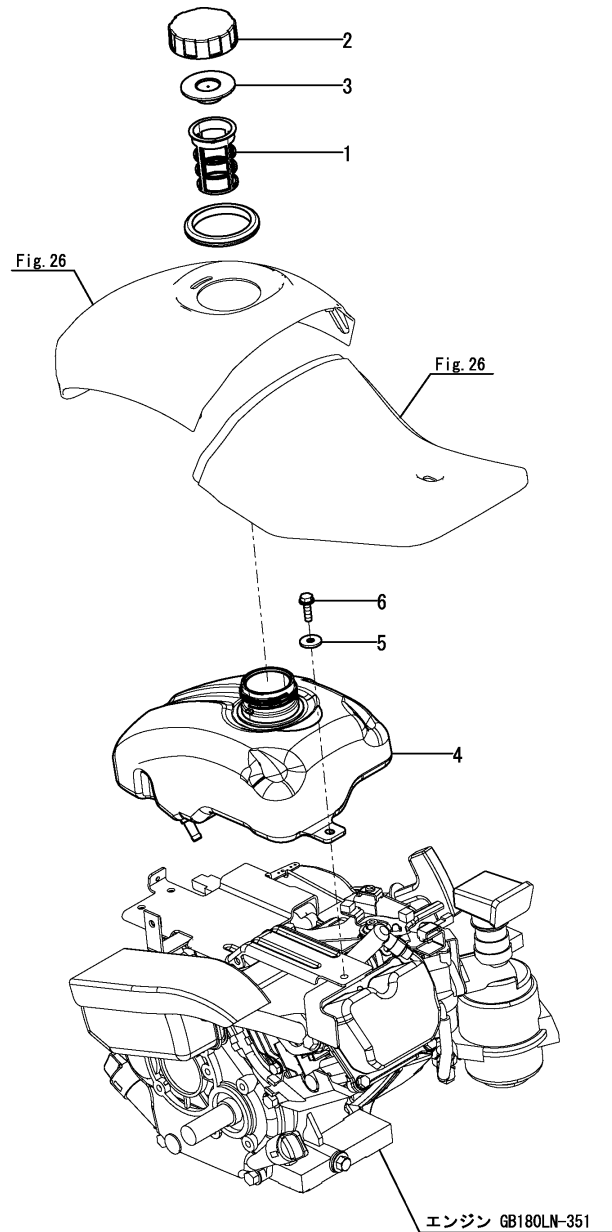
(A)=MRT650EX,PQZ
(B)=
(C)=

(D)=
(E)=
(F)=



| No. | Lev. | Parts No. | Description | Q'ty | | | | | | I | R |
|-----|------|--------------|---------------------|------|-----|-----|-----|-----|-----|---|---|
| | | | | (A) | (B) | (C) | (D) | (E) | (F) | | |
| 1 | 1 | 7A2749-62000 | COVER, BELT PL ASSY | 1 | | | | | | | |
| 2 | 2 | 1A2132-62050 | BOLT | 1 | | | | | | | |
| 3 | 2 | 1A2749-62050 | BOLT, 6X16 | 1 | | | | | | | |
| 4 | 2 | 1A2749-62100 | BOLT, 6X20 | 1 | | | | | | | |
| 5 | 2 | 22137-060000 | WASHER, 6 | 1 | | | | | | | |
| 6 | 2 | 22137-080000 | WASHER, 8 | 3 | | | | | | | |
| 7 | 2 | 22157-060000 | WASHER, 6 | 1 | | | | | | | |
| 8 | 2 | 22276-000040 | RING, 4 | 2 | | | | | | | |
| 9 | 2 | 22276-000060 | RING, E- 6 | 1 | | | | | | | |
| 10 | 1 | 1A2740-62100 | RETAINER ,BELT | 1 | | | | | | | |
| 11 | 1 | 26106-080122 | BOLT, M8X 12 PLATED | 2 | | | | | | | |

Fig.25. FUEL TANK

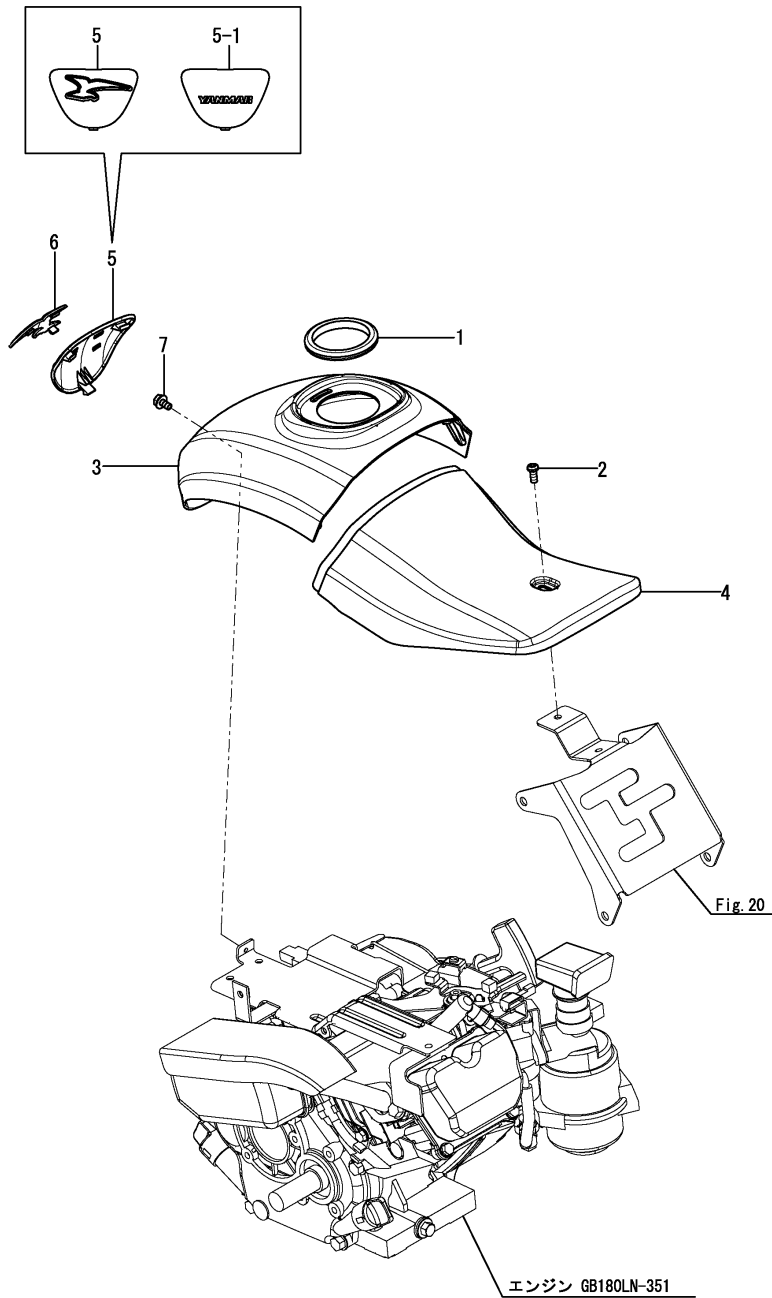


(A)=MRT650EX,PQZ
(B)=
(C)=

(D)=
(E)=
(F)=

| No. | Lev. | Parts No. | Description | Q'ty | | | | | | I | R |
|-----|------|--------------|---------------------|------|-----|-----|-----|-----|-----|---|---|
| | | | | (A) | (B) | (C) | (D) | (E) | (F) | | |
| 1 | 1 | 1W1303-40010 | FILTER,FUEL | 1 | | | | | | | |
| 2 | 1 | 160610-55040 | CAP, FUEL TANK | 1 | | | | | | | |
| 3 | 1 | 1C6054-62030 | PACKING,FUEL TANK | 1 | | | | | | | |
| 4 | 1 | 1A2740-63001 | FUEL TANK | 1 | | | | | | | |
| 5 | 1 | 22157-060000 | WASHER, 6 | 3 | | | | | | | |
| 6 | 1 | 26106-060202 | BOLT, M6X 20 PLATED | 3 | | | | | | | |

Fig.26. BONNET



(A)=MRT650EX,PQZ
(B)=
(C)=

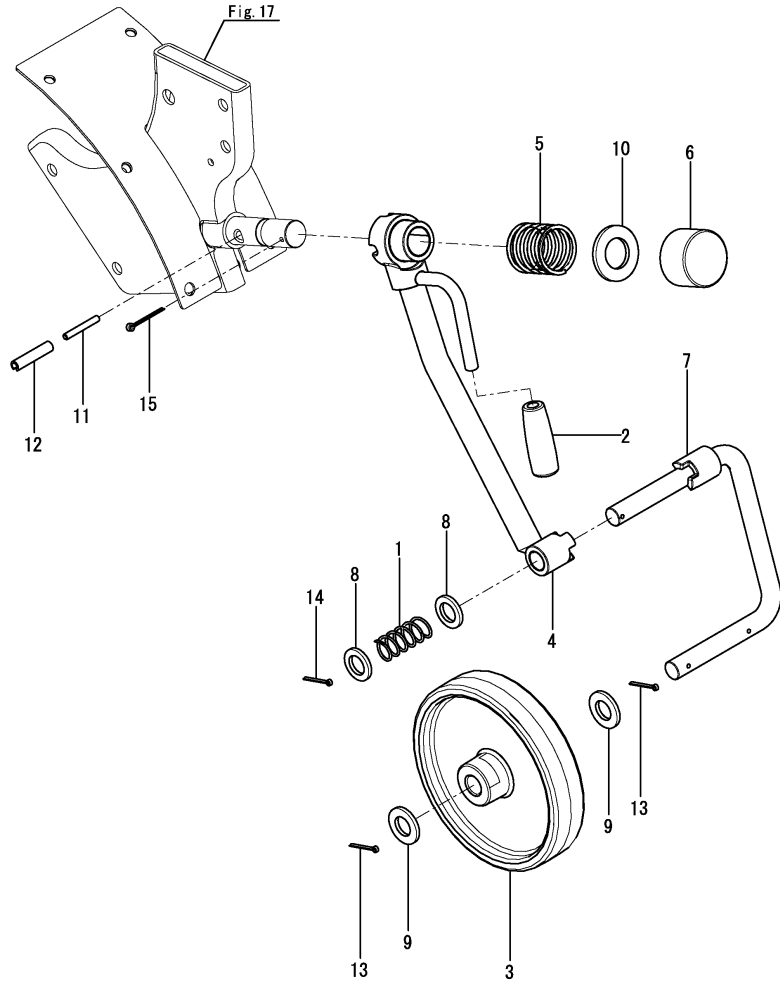
(D)=
(E)=
(F)=

| No. | Lev. | Parts No. | Description | Q'ty | | | | | | I | R |
|-----|------|--------------|--------------------|------|-----|-----|-----|-----|-----|---|---|
| | | | | (A) | (B) | (C) | (D) | (E) | (F) | | |
| 1 | 1 | 1W3981-10440 | RUBBER | 1 | | | | | | | |
| 2 | 1 | 1A1686-52230 | SCREW, M6X16 | 1 | | | | | | | |
| 3 | 1 | 7A2749-64000 | BONNET PL ASSY | 1 | | | | | | | |
| 4 | 1 | 1A2740-64010 | COVER, REAR | 1 | | | | | | | |
| 5 | 1 | 1A2720-64100 | MUSK, FRONT | 1 | | | | | | | |
| 5-1 | 1 | 1A2720-64300 | MUSK, FRONT | 1 | | | | | | | N |
| 6 | 1 | 1A2720-64110 | BLAND MARK | 1 | | | | | | | Z |
| 7 | 1 | 26106-060082 | BOLT, M6X 8 PLATED | 1 | | | | | | | |

Fig.27. TAIL WHEEL

(A)=MRT650EX,PQZ
(B)=
(C)=

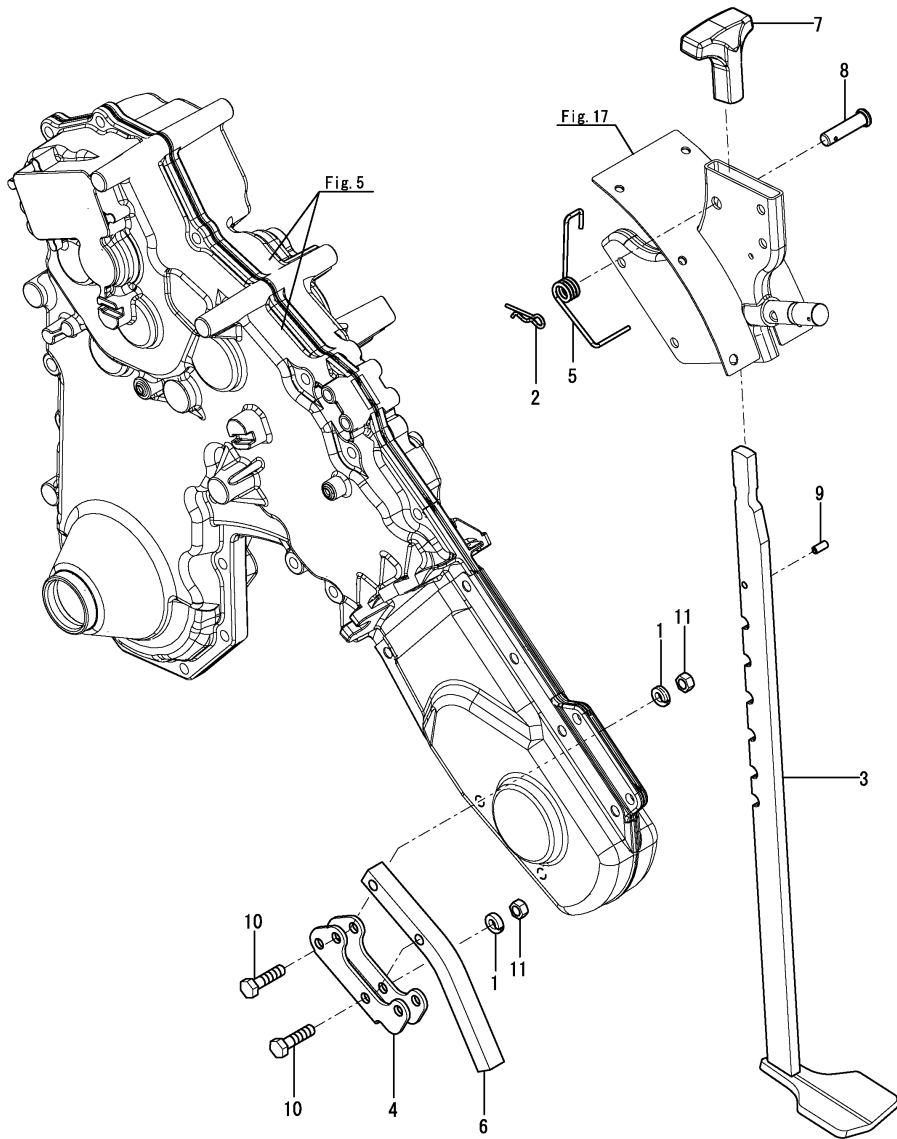
(D)=
(E)=
(F)=



| No. | Lev. | Parts No. | Description | Q'ty | | | | | | I | R |
|-------------|------|--------------|--------------------|------|-----|-----|-----|-----|-----|---|---|
| | | | | (A) | (B) | (C) | (D) | (E) | (F) | | |
| 1 | 1 | 1A2190-55460 | SPRING 13X38 | 1 | | | | | | | |
| 2 | 1 | 1A2660-56000 | GRIP, YELLOW | 1 | | | | | | | |
| 3 | 1 | 1A2740-71100 | WHEEL | 1 | | | | | | | |
| 4 | 1 | 1A2740-71200 | ARM,WHEEL CMP | 1 | | | | | | | |
| 5 | 1 | 1A2740-71310 | SPRING 28X32 | 1 | | | | | | | |
| 6 | 1 | 1A2740-71350 | CAP | 1 | | | | | | | |
| 7 | 1 | 1A2740-71500 | SHAFT,WHEEL CMP | 1 | | | | | | | |
| 8 | 1 | 22117-120000 | WASHER, 12 | 2 | | | | | | | |
| 9 | 1 | 22137-120000 | WASHER, 12 | 2 | | | | | | | |
| 10 | 1 | 22137-180000 | WASHER, 18 | 1 | | | | | | | |
| 11 | 1 | 22351-035028 | PIN, SPRING 3.5X28 | 1 | | | | | | Z | 1 |
| (A=F002434) | | | | | | | | | | | |
| 12 | 1 | 22351-060030 | PIN, SPRING 6.0X30 | 1 | | | | | | Z | 1 |
| (A=F002434) | | | | | | | | | | | |
| 13 | 1 | 22417-200200 | PIN, COTTER 2.0X20 | 2 | | | | | | | |
| 14 | 1 | 22417-200250 | PIN, COTTER 2.0X25 | 1 | | | | | | | |
| 15 | 1 | 22417-250250 | PIN, COTTER 2.5X25 | 1 | | | | | | | |

Remarks
(1)After the F00243 is refer to Fig.17.

Fig.28. SKID



(A)=MRT650EX,PQZ
(B)=
(C)=

(D)=
(E)=
(F)=

| No. | Lev. | Parts No. | Description | Q'ty | | | | | | I | R |
|-----|------|--------------|----------------------|------|-----|-----|-----|-----|-----|---|---|
| | | | | (A) | (B) | (C) | (D) | (E) | (F) | | |
| 1 | 1 | 1E6570-35150 | WASHER, SPRING 3/8 | 4 | | | | | | | |
| 2 | 1 | 1A1290-36010 | PIN, SNAP 10 | 1 | | | | | | | |
| 3 | 1 | 1A2740-75000 | BAR CMP | 1 | | | | | | | |
| 4 | 1 | 1A2480-75100 | STAY | 1 | | | | | | | |
| 5 | 1 | 1A2170-75111 | SPRING 46X60X25,TORQ | 1 | | | | | | | |
| 6 | 1 | 1A2480-75110 | REAR STICK | 1 | | | | | | | |
| 7 | 1 | 1A2480-75150 | KNOB, LEVER | 1 | | | | | | | |
| 8 | 1 | 1A2170-75160 | PIN 10X33,FLAT HEAD | 1 | | | | | | | |
| 9 | 1 | 22351-050012 | PIN, SPRING 5.0X12 | 1 | | | | | | | |
| 10 | 1 | 26076-080322 | BOLT, 10.98X 32 | 4 | | | | | | | |
| 11 | 1 | 26716-080002 | NUT, M8 | 4 | | | | | | | |

Remarks

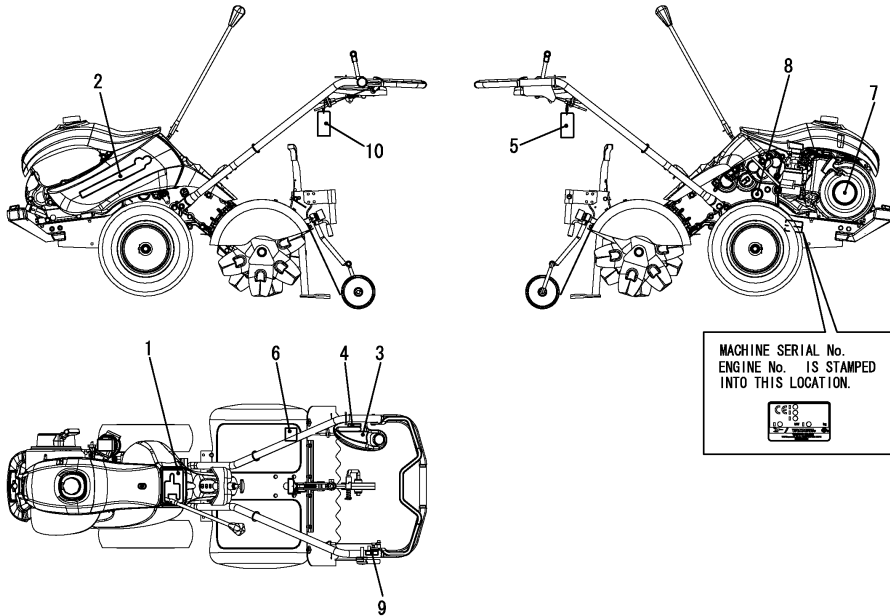
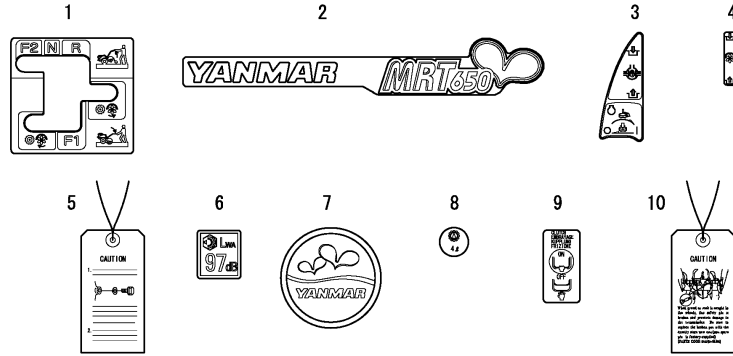
* Mission assy is shown in Fig.33.

Fig.30. LABEL

(A)=MRT650EX,PQZ
(B)=
(C)=

(D)=
(E)=
(F)=

| No. | Lev. | Parts No. | Description | Q'ty | | | | | | I | R |
|-----|------|--------------|----------------------|------|-----|-----|-----|-----|-----|---|---|
| | | | | (A) | (B) | (C) | (D) | (E) | (F) | | |
| 1 | 1 | 1A2749-86050 | LABEL, CHANGE | 1 | | | | | | | |
| 2 | 1 | 1A2740-86100 | ARNAMENT,650 | 1 | | | | | | | |
| 3 | 1 | 1A2749-86100 | LABEL,TURN | 1 | | | | | | | |
| 4 | 1 | 1A2749-86110 | LABEL, CRUTCH | 1 | | | | | | | |
| 5 | 1 | 1A2749-86150 | TAG, CAUTION | 1 | | | | | | | |
| 6 | 1 | 1A2179-86230 | LABEL | 1 | | | | | | | |
| 7 | 1 | 1A2720-86230 | LABEL,RECOIL | 1 | | | | | | | |
| 8 | 1 | 1A2740-86360 | LABEL, OIL 4 | 1 | | | | | | | |
| 9 | 1 | 1A2170-86920 | LABEL EX,MAIN CLUTCH | 1 | | | | | | | |
| 10 | 1 | 1A2170-86960 | CAP,TN.SHFT.PIN CAUT | 1 | | | | | | | |



Remarks
* Mission assy is shown in Fig.33.

Fig.32. TOOL, ACCESSORY

(A)=MRT650EX,PQZ
(B)=
(C)=

(D)=
(E)=
(F)=

| No. | Lev. | Parts No. | Description | Q'ty | | | | | | I | R |
|-----|------|--------------|----------------------|------|-----|-----|-----|-----|-----|---|---|
| | | | | (A) | (B) | (C) | (D) | (E) | (F) | | |
| 1 | 1 | 1A1750-83900 | TOOL BAG | 1 | | | | | | | |
| 2 | 1 | 1D2040-87060 | SCREWDRIVER,COMBINAT | 1 | | | | | | | |
| 3 | 1 | 160110-92700 | WRENCH, 21 L140 | 1 | | | | | | | |
| 4 | 1 | 28110-100120 | SPANNER, 10X12 | 1 | | | | | | | |
| 5 | 1 | 28110-140170 | SPANNER, 14X17 | 1 | | | | | | | |
| 6 | 1 | 1S0202-30900 | PIN 10,SNAP | 1 | | | | | | | |
| 7 | 1 | 1A2170-43300 | SPLIT PIN 10X40 | 1 | | | | | | | |
| 8 | 1 | 1A2749-88000 | MANUAL | 1 | | | | | | | |

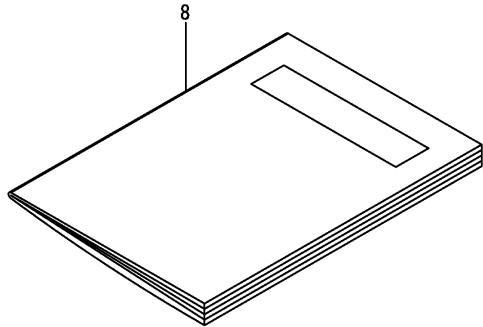
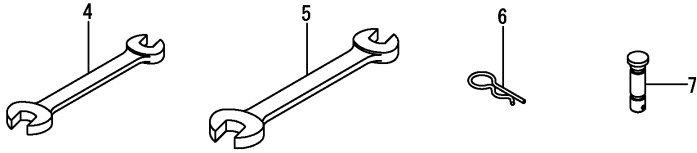
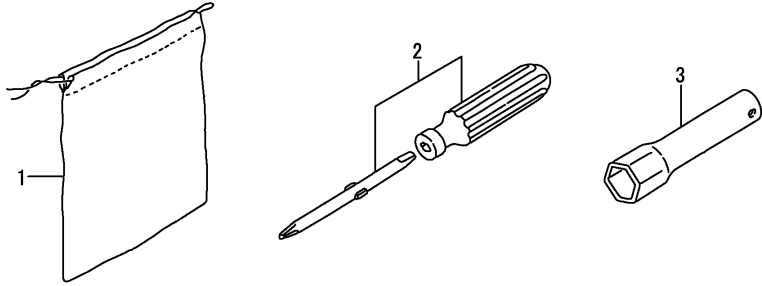
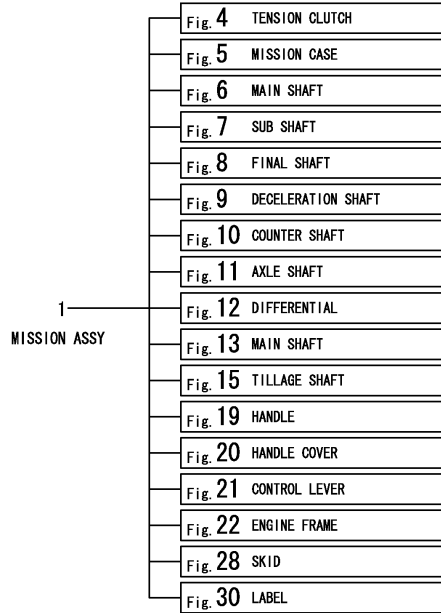


Fig.33. MISSION ASSY

(A)=MRT650EX,PQZ
(B)=
(C)=

(D)=
(E)=
(F)=

| No. | Lev. | Parts No. | Description | Q'ty | | | | | | I | R |
|-----|------|--------------|--------------------|------|-----|-----|-----|-----|-----|---|---|
| | | | | (A) | (B) | (C) | (D) | (E) | (F) | | |
| 1 | 1 | 7A2749-21100 | MISSION EX-PQ ASSY | 1 | | | | | | | |
| 1-1 | 1 | 7A2749-21101 | MISSION EX-PQ ASSY | 1 | | | | | | | N |
| | | | (A=FZZZZZ) | | | | | | | | |



Remarks

* Inner parts are shown in these figure.

Parts No. Index

| Parts No. | Fig. No. | Ref. No. |
|----------------|----------|----------|
| 160110-92700 | 32 | 3 |
| 160610-55040 | 25 | 2 |
| 1A1105-23200 | 9 | 1 |
| | 11 | 1 |
| 1A1105-34010-1 | 14 | 8 |
| 1A1105-34020-1 | 14 | 9 |
| 1A1290-36010 | 28 | 2 |
| 1A1470-20090 | 5 | 1 |
| 1A1540-46010 | 14 | 10 |
| 1A1540-46020 | 14 | 11 |
| 1A1686-52230 | 26 | 2 |
| 1A1735-23250 | 9 | 2 |
| 1A1750-83900 | 32 | 1 |
| 1A1750-90200 | 5 | 8 |
| | 13 | 17 |
| | 20 | 3 |
| | 21 | 27 |
| 1A1880-31000 | 14 | 1 |
| 1A1880-31010 | 14 | 4 |
| 1A1880-31020 | 14 | 2 |
| | | 5 |
| 1A1880-31030 | 14 | 3 |
| | | 6 |
| 1A2000-23251 | 7 | 4 |
| | 9 | 3 |
| 1A2001-21250 | 5 | 4 |
| 1A2132-62050 | 24 | 2 |
| 1A2170-24210 | 12 | 5 |
| 1A2170-31700 | 14 | 7 |
| 1A2170-42201 | 15 | 3 |
| 1A2170-42250 | 15 | 4 |
| 1A2170-43300 | 16 | 3 |
| | 32 | 7 |
| 1A2170-51900 | 19 | 4 |
| 1A2170-75111 | 28 | 5 |
| 1A2170-75160 | 28 | 8 |
| 1A2170-86920 | 30 | 9 |
| 1A2170-86960 | 30 | 10 |
| 1A2173-27900 | 13 | 14 |
| 1A2179-86230 | 30 | 6 |
| 1A2190-55460 | 13 | 15 |
| | 27 | 1 |
| 1A2199-86700 | 31 | 1 |
| 1A2199-86720 | 31 | 2 |
| 1A2199-86840 | 31 | 3 |
| 1A2199-86900 | 31 | 4 |
| 1A2320-23150 | 10 | 1 |
| 1A2320-55900 | 29 | 1 |
| 1A2420-24460 | 12 | 6 |
| 1A2420-55200 | 21 | 11 |

| Parts No. | Fig. No. | Ref. No. |
|--------------|----------|----------|
| 1A2480-13100 | 4 | 1 |
| 1A2480-23380 | 9 | 6 |
| 1A2480-27300 | 13 | 7 |
| 1A2480-42150 | 15 | 2 |
| 1A2480-55600 | 21 | 22 |
| 1A2480-56100 | 21 | 25 |
| 1A2480-75100 | 28 | 4 |
| 1A2480-75110 | 16 | 10 |
| | 28 | 6 |
| 1A2480-75150 | 28 | 7 |
| 1A2660-56000 | 27 | 2 |
| 1A2680-51560 | 21 | 2 |
| 1A2680-55800 | 21 | 24 |
| 1A2720-64100 | 26 | 5 |
| 1A2720-64110 | 26 | 6 |
| 1A2720-64300 | 26 | 5 -1 |
| 1A2720-86230 | 30 | 7 |
| 1A2740-11050 | 1 | 1 |
| 1A2740-11150 | 1 | 2 |
| 1A2740-11501 | 1 | 3 |
| 1A2740-12000 | 2 | 2 |
| 1A2740-12001 | 2 | 2 -1 |
| 1A2740-12100 | 2 | 3 |
| 1A2740-13300 | 3 | 1 |
| 1A2740-13500 | 4 | 2 |
| 1A2740-13550 | 4 | 3 |
| 1A2740-13551 | 4 | 3 -1 |
| 1A2740-13552 | 4 | 3 -2 |
| 1A2740-13560 | 4 | 5 -1 |
| 1A2740-13600 | 4 | 4 |
| 1A2740-21000 | 5 | 2 |
| 1A2740-21010 | 5 | 3 |
| 1A2740-21300 | 5 | 5 |
| 1A2740-21400 | 5 | 6 |
| 1A2740-21401 | 5 | 6 -1 |
| 1A2740-21410 | 5 | 7 |
| 1A2740-21411 | 5 | 7 -1 |
| 1A2740-23000 | 6 | 1 |
| 1A2740-23010 | 6 | 2 |
| 1A2740-23100 | 7 | 1 |
| 1A2740-23150 | 7 | 2 |
| 1A2740-23160 | 7 | 3 |
| 1A2740-23200 | 8 | 1 |
| 1A2740-23300 | 9 | 4 |
| 1A2740-23350 | 9 | 5 |
| 1A2740-23400 | 10 | 2 |
| 1A2740-23410 | 10 | 3 |
| 1A2740-24000 | 11 | 2 |
| 1A2740-24010 | 11 | 3 |
| 1A2740-24020 | 11 | 4 |

| Parts No. | Fig. No. | Ref. No. |
|--------------|----------|----------|
| 1A2740-24080 | 11 | 5 |
| 1A2740-24100 | 12 | 1 |
| 1A2740-24150 | 12 | 2 |
| 1A2740-24160 | 12 | 3 |
| 1A2740-24170 | 12 | 4 |
| 1A2740-27000 | 13 | 1 |
| 1A2740-27050 | 13 | 2 |
| 1A2740-27100 | 13 | 3 |
| 1A2740-27130 | 13 | 4 |
| 1A2740-27151 | 13 | 5 |
| 1A2740-27200 | 13 | 6 |
| 1A2740-27350 | 13 | 8 |
| 1A2740-27451 | 13 | 9 |
| 1A2740-27500 | 13 | 10 |
| 1A2740-27700 | 13 | 11 |
| 1A2740-27750 | 13 | 12 |
| 1A2740-27770 | 13 | 12 -1 |
| 1A2740-27800 | 13 | 13 |
| 1A2740-42100 | 15 | 1 |
| 1A2740-42300 | 15 | 5 |
| 1A2740-43100 | 16 | 2 |
| 1A2740-43900 | 16 | 4 |
| | | 9 |
| 1A2740-44050 | 17 | 3 |
| 1A2740-44150 | 18 | 1 |
| 1A2740-44550 | 18 | 2 |
| 1A2740-44600 | 17 | 8 |
| 1A2740-44650 | 18 | 3 |
| 1A2740-51500 | 19 | 1 |
| 1A2740-51600 | 19 | 2 |
| 1A2740-51650 | 21 | 3 |
| 1A2740-51680 | 21 | 4 |
| 1A2740-51700 | 19 | 3 |
| 1A2740-51810 | 21 | 5 |
| 1A2740-52000 | 20 | 1 |
| 1A2740-52200 | 20 | 2 |
| 1A2740-55101 | 21 | 8 |
| 1A2740-55151 | 21 | 9 |
| 1A2740-55250 | 21 | 12 |
| 1A2740-55300 | 21 | 13 |
| 1A2740-55400 | 21 | 14 |
| 1A2740-55410 | 21 | 15 |
| 1A2740-55580 | 21 | 21 |
| 1A2740-55600 | 21 | 23 |
| 1A2740-61000 | 22 | 1 |
| 1A2740-61300 | 23 | 1 |
| 1A2740-62100 | 24 | 10 |
| 1A2740-63001 | 25 | 4 |
| 1A2740-64010 | 26 | 4 |
| 1A2740-71100 | 27 | 3 |

| Parts No. | Fig. No. | Ref. No. |
|--------------|----------|----------|
| 1A2740-71200 | 27 | 4 |
| 1A2740-71310 | 27 | 5 |
| 1A2740-71350 | 27 | 6 |
| 1A2740-71500 | 27 | 7 |
| 1A2740-75000 | 28 | 3 |
| 1A2740-86100 | 30 | 2 |
| 1A2740-86360 | 30 | 8 |
| 1A2740-90100 | 4 | 8 -2 |
| 1A2740-90200 | 4 | 8 -1 |
| 1A2749-55450 | 21 | 16 |
| 1A2749-55460 | 21 | 17 |
| 1A2749-55500 | 21 | 19 |
| 1A2749-55511 | 21 | 20 |
| 1A2749-55512 | 21 | 20 -1 |
| 1A2749-62050 | 24 | 3 |
| 1A2749-62100 | 24 | 4 |
| 1A2749-83000 | 29 | 2 |
| 1A2749-83050 | 29 | 3 |
| 1A2749-86050 | 30 | 1 |
| 1A2749-86100 | 30 | 3 |
| 1A2749-86110 | 30 | 4 |
| 1A2749-86150 | 30 | 5 |
| 1A2749-88000 | 32 | 8 |
| 1C6054-62030 | 25 | 3 |
| 1C6281-52310 | 21 | 6 |
| | | 6 -1 |
| 1D1140-11420 | 2 | 1 |
| 1D2040-87060 | 32 | 2 |
| 1E6102-84970 | 21 | 26 |
| 1E6150-56040 | 13 | 16 |
| 1E6570-35150 | 28 | 1 |
| 1S0202-30900 | 16 | 1 |
| | 32 | 6 |
| 1W0224-09804 | 17 | 1 |
| | 21 | 1 |
| 1W1303-40010 | 25 | 1 |
| 1W3981-10440 | 26 | 1 |
| 22117-120000 | 13 | 18 |
| | 27 | 8 |
| 22137-060000 | 21 | 28 |
| | 24 | 5 |
| 22137-080000 | 4 | 5 |
| | 21 | 29 |
| | 24 | 6 |
| 22137-100000 | 4 | 6 |
| | 19 | 5 |
| | 21 | 30 |
| 22137-120000 | 13 | 19 |
| | 27 | 9 |
| 22137-180000 | 27 | 10 |

Parts No. Index

| Parts No. | Fig. No. | Ref. No. |
|--------------|----------|----------|
| 22157-060000 | 3 | 2 |
| | 4 | 5 -2 |
| | 18 | 4 |
| | 20 | 4 |
| | 21 | 31 |
| | 24 | 7 |
| | 25 | 5 |
| 22217-080000 | 16 | 5 |
| 22242-000120 | 21 | 10 |
| 22242-000150 | 4 | 7 |
| 22242-000200 | 9 | 7 |
| | 11 | 6 |
| 22252-000520 | 7 | 5 |
| 22276-000040 | 24 | 8 |
| 22276-000060 | 24 | 9 |
| 22351-030012 | 21 | 32 |
| 22351-035022 | 17 | 9 |
| 22351-035028 | 27 | 11 |
| 22351-050012 | 28 | 9 |
| 22351-050030 | 13 | 20 |
| 22351-060030 | 27 | 12 |
| 22417-200200 | 27 | 13 |
| 22417-200250 | 27 | 14 |
| 22417-250250 | 13 | 21 |
| | 21 | 33 |
| | 27 | 15 |
| 22487-060240 | 21 | 34 |
| 22487-080350 | 21 | 35 |
| 22512-050300 | 2 | 4 |
| 22550-050250 | 3 | 3 |
| 22857-500122 | 19 | 6 |
| 23414-080000 | 5 | 9 |
| 24101-062024 | 7 | 6 |
| | 8 | 2 |
| 24101-062044 | 11 | 7 |
| 24101-063044 | 7 | 7 |
| | 11 | 8 |
| 24104-060064 | 15 | 6 |
| 24104-062014 | 10 | 4 |
| 24104-062024 | 6 | 3 |
| 24104-062034 | 6 | 4 |
| 24190-100003 | 13 | 22 |
| 24341-000160 | 5 | 10 |
| 24421-122207 | 13 | 23 |
| 24421-173008 | 6 | 5 |
| 26013-060162 | 3 | 4 |
| 26013-060302 | 13 | 24 |
| 26013-080162 | 2 | 5 |
| 26076-080322 | 28 | 10 |
| 26106-060082 | 26 | 7 |

| Parts No. | Fig. No. | Ref. No. |
|--------------|----------|----------|
| 26106-060122 | 17 | 4 |
| 26106-060162 | 1 | 4 |
| 26106-060202 | 25 | 6 |
| 26106-080122 | 1 | 5 |
| | 24 | 11 |
| 26106-080202 | 14 | 12 |
| 26106-080252 | 5 | 11 |
| | 17 | 5 |
| | | 6 |
| 26106-080352 | 1 | 6 |
| 26106-080452 | 5 | 12 |
| 26106-080602 | 23 | 2 |
| 26106-080652 | 19 | 7 |
| 26116-080202 | 16 | 6 |
| 26116-081502 | 20 | 5 |
| 26136-100602 | 22 | 2 |
| 26367-060002 | 18 | 5 |
| 26367-080002 | 4 | 8 |
| | 5 | 13 |
| | 13 | 25 |
| | 14 | 13 |
| | 17 | 7 |
| | 19 | 8 |
| | 20 | 6 |
| | 23 | 3 |
| 26377-100002 | 4 | 9 |
| | 21 | 36 |
| | 22 | 3 |
| 26557-050082 | 21 | 37 |
| 26716-080002 | 28 | 11 |
| 26717-080002 | 16 | 7 |
| 26777-100002 | 19 | 9 |
| 26892-000600 | 13 | 26 |
| 26892-000800 | 21 | 38 |
| 28110-100120 | 32 | 4 |
| 28110-140170 | 32 | 5 |
| 7A2740-43100 | 16 | 8 |
| 7A2740-55150 | 21 | 7 |
| 7A2749-21100 | 33 | 1 |
| 7A2749-21101 | 33 | 1 -1 |
| 7A2749-44000 | 17 | 2 |
| 7A2749-62000 | 24 | 1 |
| 7A2749-64000 | 26 | 3 |

| Parts No. | Fig. No. | Ref. No. |
|-----------|----------|----------|
|-----------|----------|----------|

| Parts No. | Fig. No. | Ref. No. |
|-----------|----------|----------|
|-----------|----------|----------|